



UNIDRIVE
AUTOMATION

Unidrive Automation B.V.
Oliemolenweg 3B
7944 HX Meppel
The Nederlands
Tel: +31 (0)522 245713
E-mail: info@unidrive-automation.nl

| | |
|---------------------|----------------|
| Bedrijf / klant | Sitetec B.V. |
| Projectbeschrijving | MP750E (110kW) |
| Projectnummer | 2220633 |
| Opdrachtgever | Sitetec B.V. |

| | |
|---------------------|--------------------------|
| Fabrikant (bedrijf) | Unidrive Automation B.V. |
| Projectnaam | 2220633 - MP750E (110kW) |
| Fabriek | Rittal |
| Type | AE1016.600 |
| Installatieplaats | |
| Schakelkast naam | BK1 |

| | | | |
|----------------|--------------|---------------|-----------|
| Gemaakt op | 31-1-2022 | Getekend door | JY |
| Project status | AS-Built (A) | Bewerkt op | 21-3-2023 |

Toegepaste draadkleuren

| U > 50VAC | |
|---------------------|------------|
| L1 | Zwart |
| L2 | Zwart |
| L3 | Zwart |
| N*1 | Blauw |
| Aarde | Geel/groen |

| U < 50VDC | |
|---------------------|------------------|
| Plus | Donkerblauw |
| Schakeldraad | Donkerblauw |
| Min | Darkblue / white |
| Aarde | Geel/groen |

| Analoge signalen | |
|-------------------------|------------|
| Plus | Grijs |
| Min | Grijs |
| Aarde | Geel/groen |

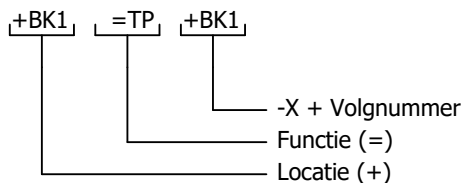
| U < 50VAC | |
|---------------------|------------|
| Plus | Grijs |
| Min | Grijs |
| Aarde | Geel/groen |

| Veiligheidscircuits | |
|----------------------------|------|
| Alle | Geel |

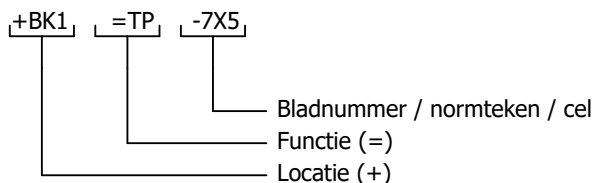
| Vreemde spanningen | |
|---------------------------|-----------------|
| Alle*2 | Oranje of zwart |

1* = Als AC-spanning niet vanaf een transformator in de schakelkast zelf komen is de bijhorende nul lichtblauw.
2* = afhankelijk van de situatie.

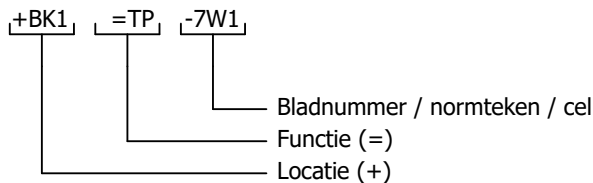
KLEMMENSTROOK NUMMERING



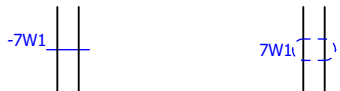
Component codering



Kabel nummering



Normale Kabel Afgeschermdde kabel



Structuur

| | |
|---|--------------|
| + | Lokatie |
| & | Documenttype |
| = | Functie |

Componentencodering (intern)

- A Samenstellingen, kasten (Kast, Printplaat, PLC, versterker, laser)
 - T Omvormers, van niet-elektrisch naar elektrisch of omgekeerd (Pt100, naderindsschakelaar, fotoelektrische cel)
 - C Condensatoren
 - E Verscheidene (Verwarmings toestel, verlichting toestel, toestellen elders niet vermeld)
 - F Beveiligingstoestellen (Zekering, automaat, overspanningsafleider)
 - G Generator
 - P Signalisatie (signaallamp, zoemer)
 - K Relais & contactoren
 - R Spoelen, reactoren
 - M Motoren
 - p Meettoestel, test toestel (Aanduider, schrijver, integrerend meettoestel, signaal generator, klok)
 - Q Schakeltoestel voor vermogenkringen (motorbeveiliging, aanzetter, onderbreker)
 - R Weerstand (Potentiometer, instelbare weerstand, rheostaat, shunt weerstand, thermistor)
 - S Schakelaar voor stuurkringen, selector (drukknop, nokkenschakelaar, eindschakelaar, keuzecontact)
 - T Transformator (Spanningstransfo, stroomtransfo)
 - T Modulator, omvormer (frequentieomvormer, DC voeding, coder-decoder, wisselrichter, signaalomvormer)
- W Kabel
 - X Klemmen, stopcontacten, stekkers
 - Y Elektrisch bediend mechanisch toestel (Rem, koppeling, pneumatische klep)

**STROOMBELASTBAARHEID
VAN GEISOLEERDE LEIDINGEN**

IN ACCORDANCE WITH
NEN-EN-IEC 61439-1 : 2011 TABLE 11

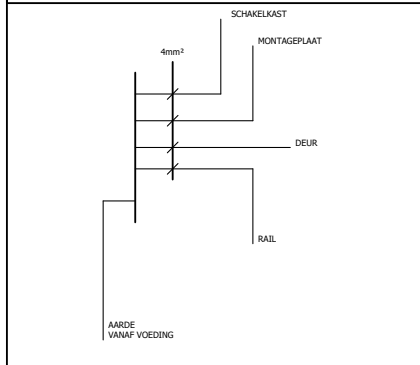
| Norm- doorsnee mm ² | Beveiligings- orgaan Cu Ampère |
|--------------------------------------|--------------------------------------|
| 1 | 8 |
| 1,5 | 12 |
| 2,5 | 20 |
| 4 | 25 |
| 6 | 32 |
| 10 | 50 |
| 16 | 65 |
| 25 | 85 |
| 35 | 115 |
| 50 | 150 |
| 70 | 175 |
| 95 | 225 |
| 120 | 250 |
| 150 | 275 |
| 185 | 350 |
| 240 | 400 |

Enclosure earthing

Opmerking:

ALLE DELEN WAAR 230V COMPONENTEN
GEMONTEERD WORDEN MOETEN GEAARD WORDEN
MET MINIMAAL 4mm²

AARDEDRADEN MOGEN NIET DOORGELUST WORDEN.
ALLE AARDPUNTEN NAAR EEN CENTRAAL AARDPUNT



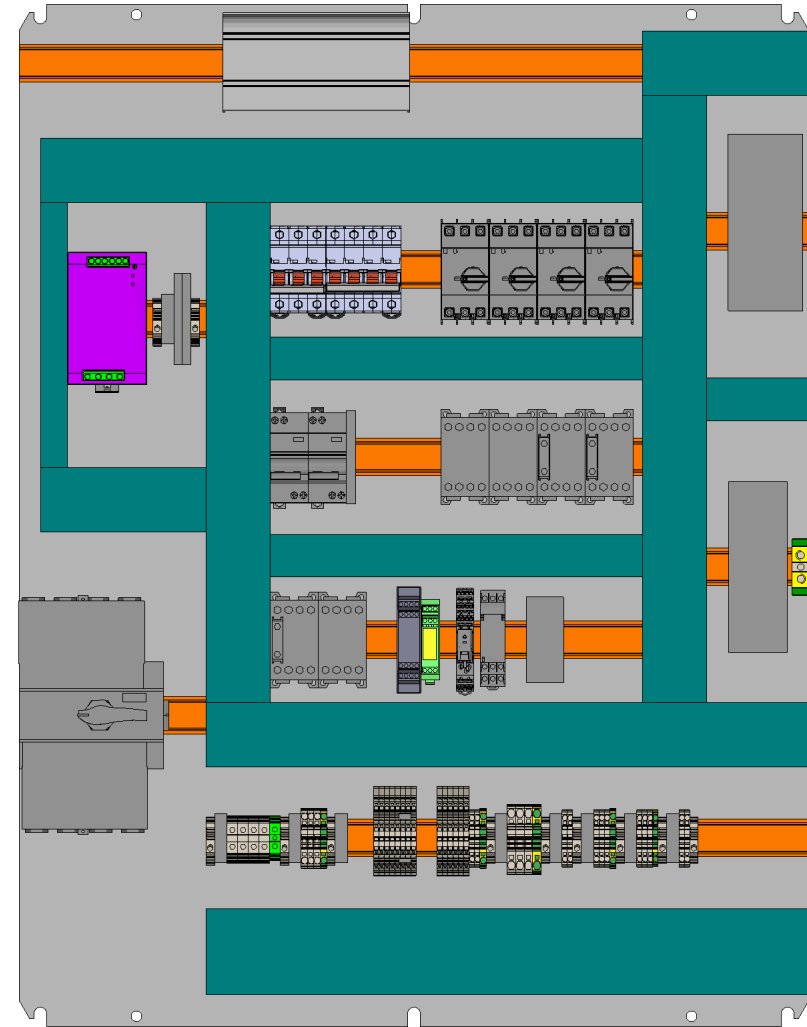
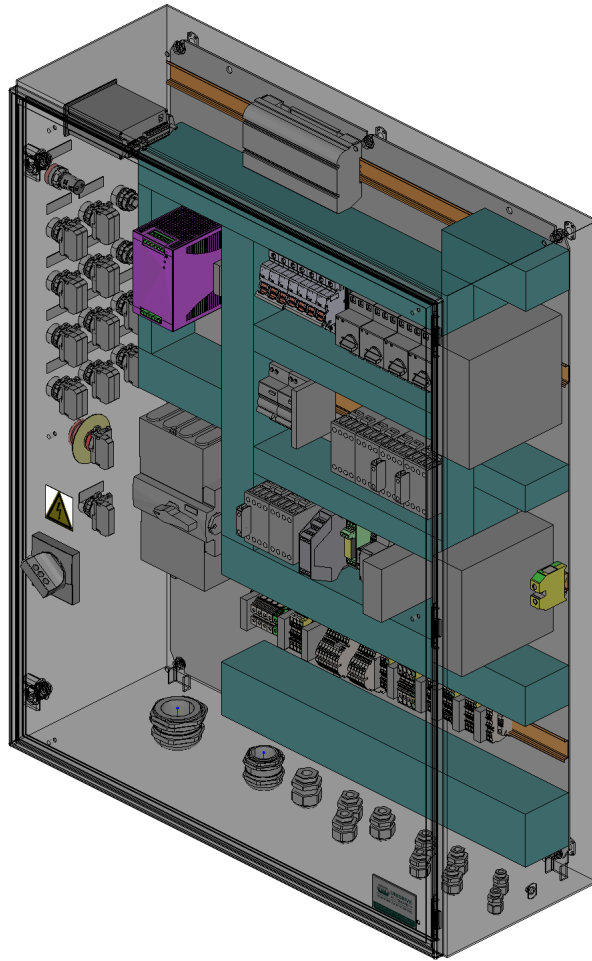


Oliemolenweg 3B
7944 HX Meppel
+31 (0)522 245713
info@unidrive-automation.nl

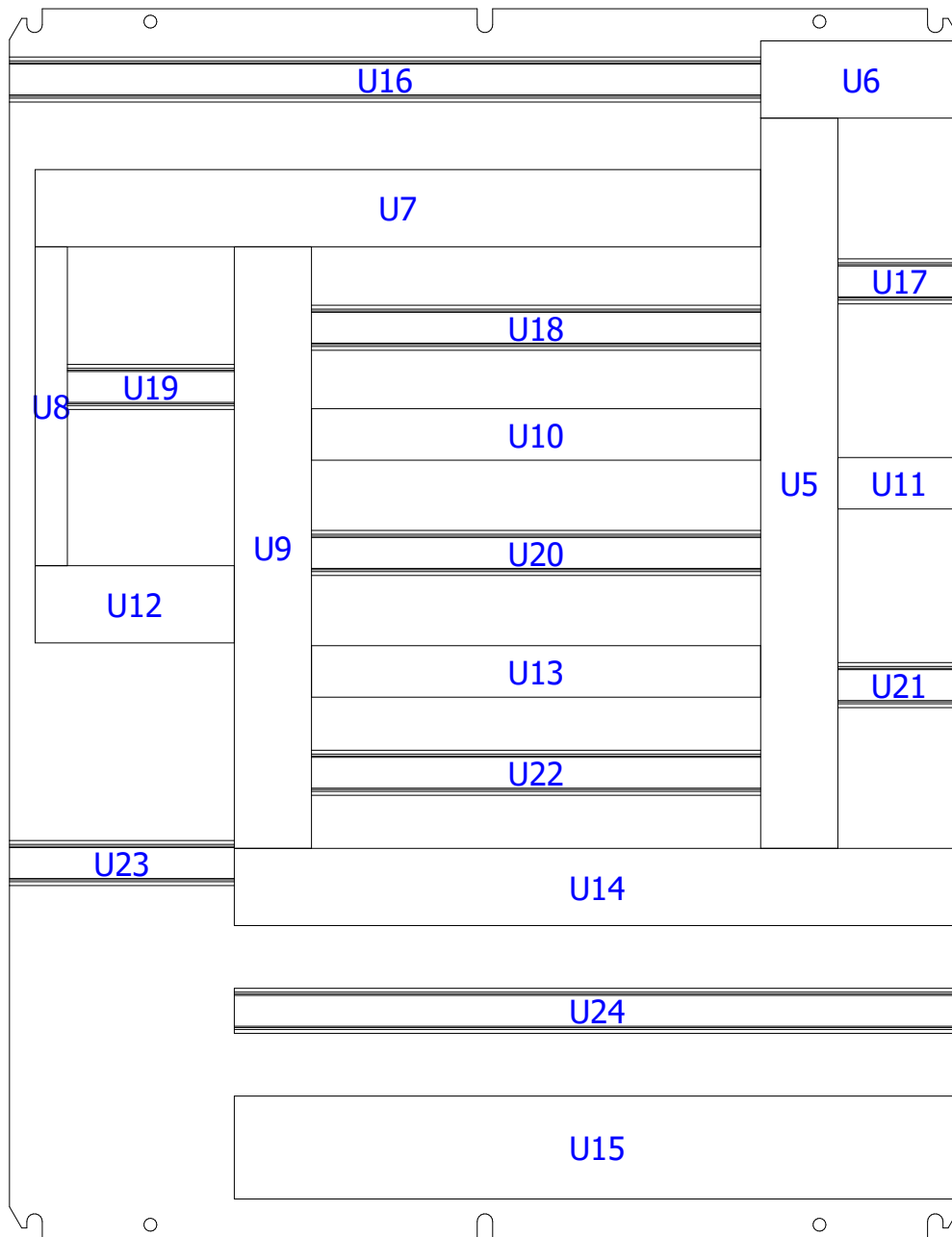
Voeding - Power supply

| | | | |
|------------------------------------|---------|--|---------------|
| Bestel nummer PO number | 2220633 | Netspanning/frequentie Nom. voltage/frequency | 400V/50Hz |
| Bouwjaar/week Prod. year/week | 2022/45 | Fases Phases | L1/L2/L3/N/PE |
| Schema nr. Drawing number | 2220633 | Stroom Current | 100A |
| Ip waarde: Degree of protection | IP65 | Hoofd zekering Main fuse | 350A |
| | | Kortsluitstroom Short-breaking capacity | <10kA |

www.unidrive-automation.nl



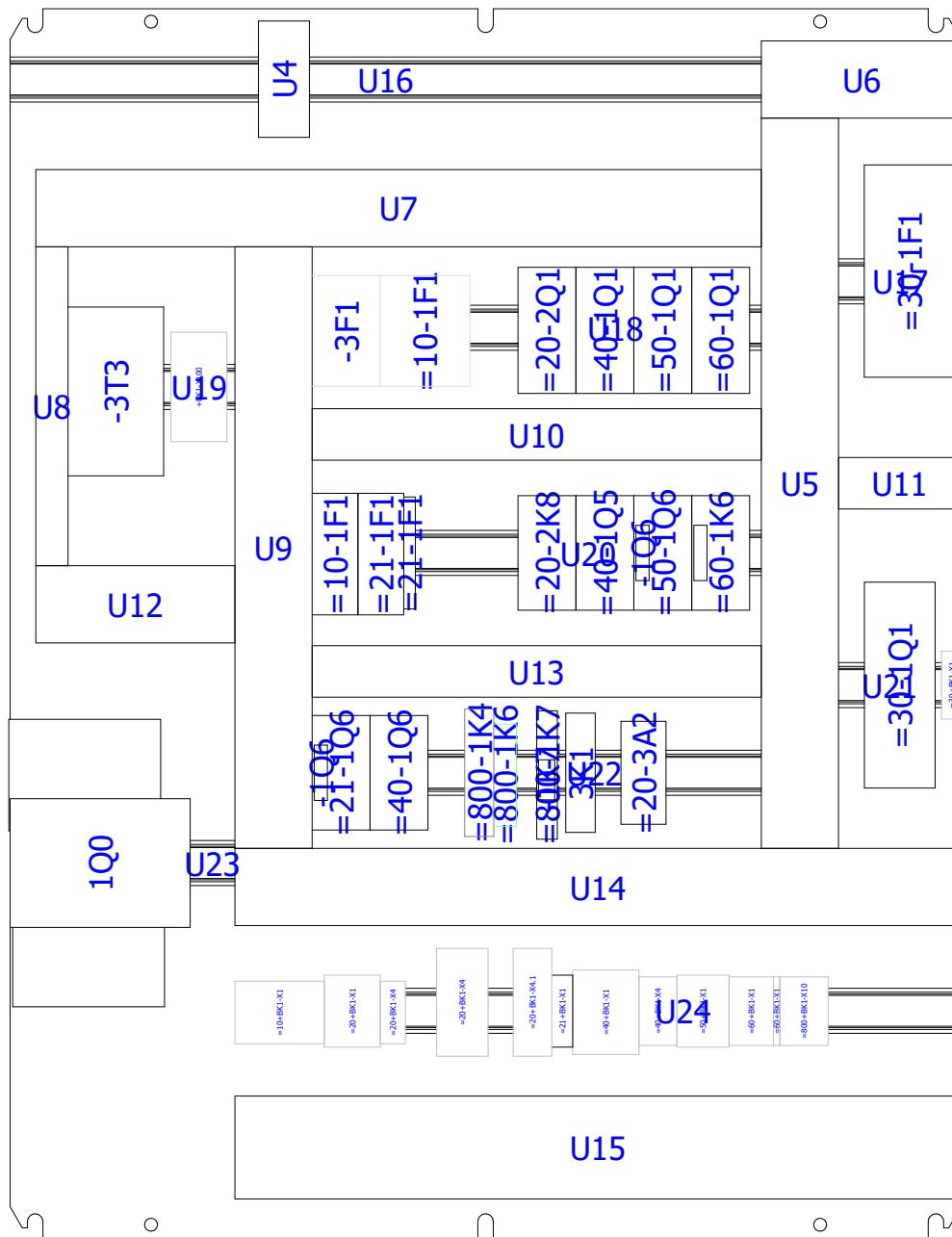
AE Kast 800x1000x300 1D 1MPL RVS 1.4301
 AE Wandkast, roestvaststaal 1.4301 (AISI 304), met 1 deur, 800x1000x300 mm BxHxD, met montageplaat, rondom gesloten



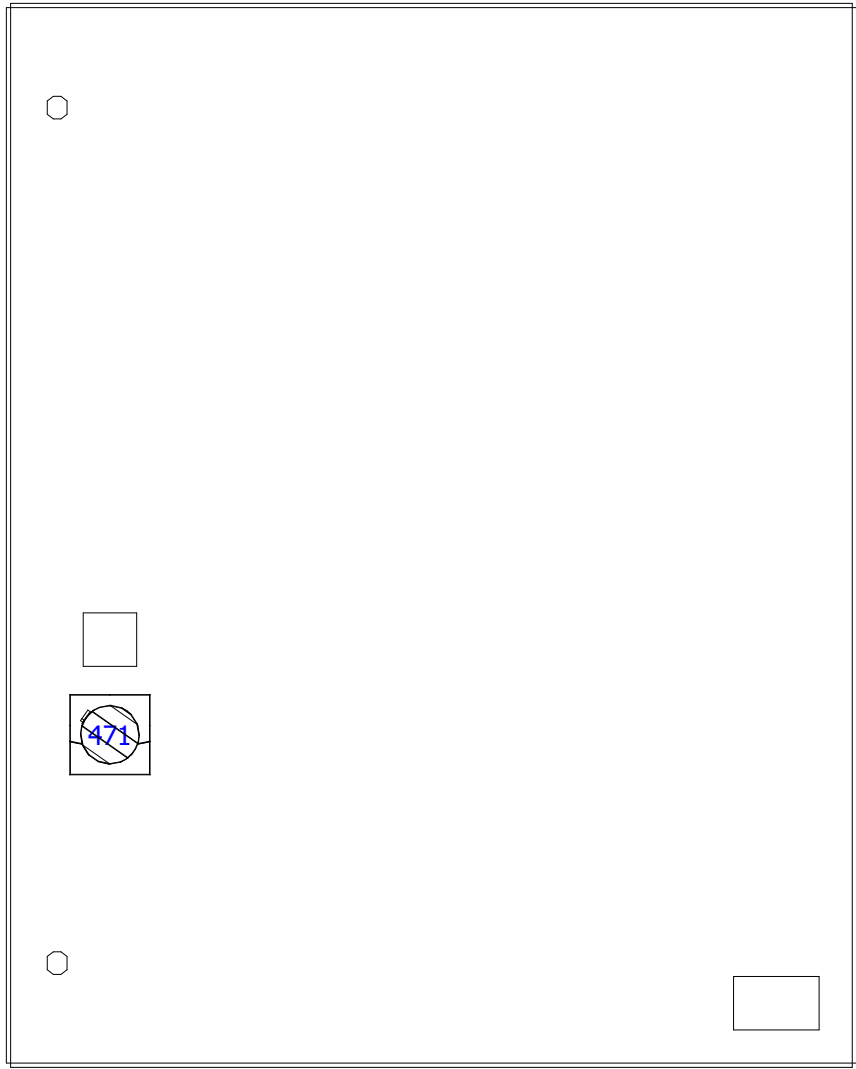
S1:Montageplaat

Kniplijst

| ODC | Artikel | Lengte |
|-----|---|--------|
| U9 | LIC 60 x 80 | 468 mm |
| U15 | LIC 80 x 80 | 564 mm |
| U14 | LIC 60 x 80 | 564 mm |
| U20 | Din- en montagerail H7,5 geperfor.6,3mm sendzimir verzinkt | 349 mm |
| U22 | Din- en montagerail H7,5 geperfor.6,3mm sendzimir verzinkt | 349 mm |
| U24 | Din- en montagerail H7,5 geperfor.6,3mm sendzimir verzinkt | 564 mm |
| U18 | Din- en montagerail H7,5 geperfor.6,3mm sendzimir verzinkt | 384 mm |
| U7 | LIC 60 x 80 | 564 mm |
| U21 | Din- en montagerail H7,5 geperfor.6,3mm sendzimir verzinkt | 95 mm |
| U5 | LIC 60 x 80 | 568 mm |
| U23 | Din- en montagerail H7,5 geperfor.6,3mm sendzimir verzinkt | 175 mm |
| U12 | LIC 60 x 80 | 155 mm |
| U19 | Din- en montagerail H7,5 geperfor.6,3mm sendzimir verzinkt | 135 mm |
| U8 | LIC 25 x 80 | 248 mm |
| U16 | Din- en montagerail H7,5 geperfor.6,3mm sendzimir verzinkt | 584 mm |
| U17 | Din- en montagerail H7,5 geperfor.6,3mm sendzimir verzinkt | 96 mm |
| U6 | LIC 60 x 80 | 156 mm |
| U13 | LIC 40 x 80 | 349 mm |
| U10 | LIC 40 x 80 | 349 mm |
| U11 | LIC 40 x 80 | 95 mm |



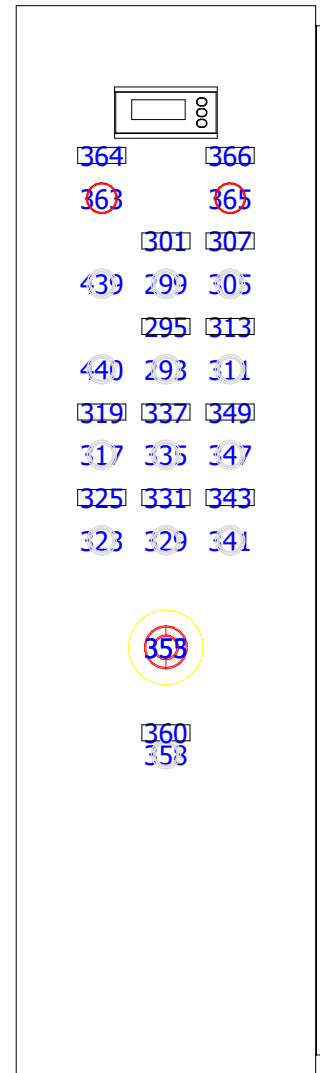
S1:Montageplaat



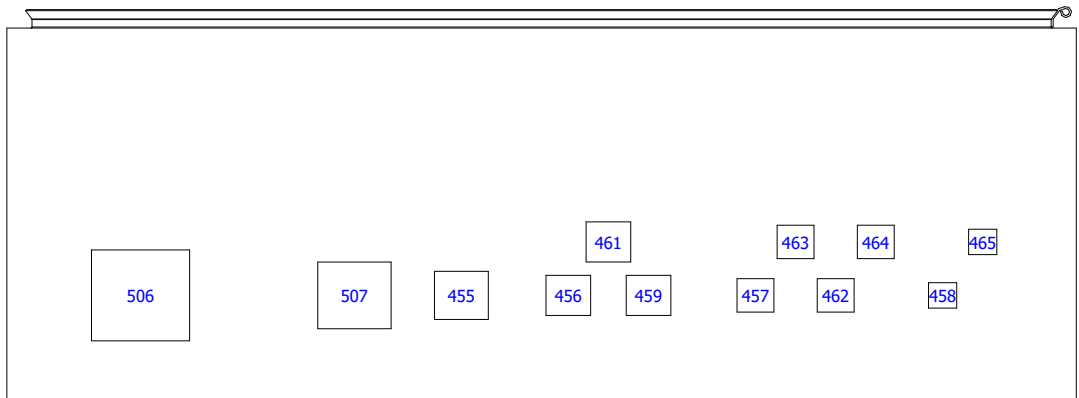
S1:Deur buiten

Graveerplaatjes

| Legendapositie | ODC | Artikel | Tekst |
|----------------|----------------|------------------------|-------------------|
| 295 | =21+BK1#-1S6 | TTP 45x15 Tekstplaatje | Linewash Stop |
| 301 | =21+BK1#-1S6.1 | TTP 45x15 Tekstplaatje | Linewash Start |
| 307 | =30+BK1#-1S5 | TTP 45x15 Tekstplaatje | Mixpomp Start |
| 313 | =30+BK1#-1S6 | TTP 45x15 Tekstplaatje | Mixpomp Stop |
| 319 | =40+BK1#-1S5.1 | TTP 45x15 Tekstplaatje | Powerpack Start |
| 325 | =40+BK1#-1S5 | TTP 45x15 Tekstplaatje | Powerpack Stop |
| 331 | =50+BK1#-1S6 | TTP 45x15 Tekstplaatje | Dompelmixer Stop |
| 337 | =50+BK1#-1S6.1 | TTP 45x15 Tekstplaatje | Dompelmixer Start |
| 343 | =60+BK1#-1S6 | TTP 45x15 Tekstplaatje | Hogedruk Stop |
| 349 | =60+BK1#-1S6.1 | TTP 45x15 Tekstplaatje | Hogedruk Start |
| 360 | =800+BK1#-1S6 | TTP 45x15 Tekstplaatje | Reset |
| 364 | =800+BK1#-1H8 | TTP 45x15 Tekstplaatje | Fase volgorde |
| 366 | =800+BK1#-1H9 | TTP 45x15 Tekstplaatje | Noodstop |



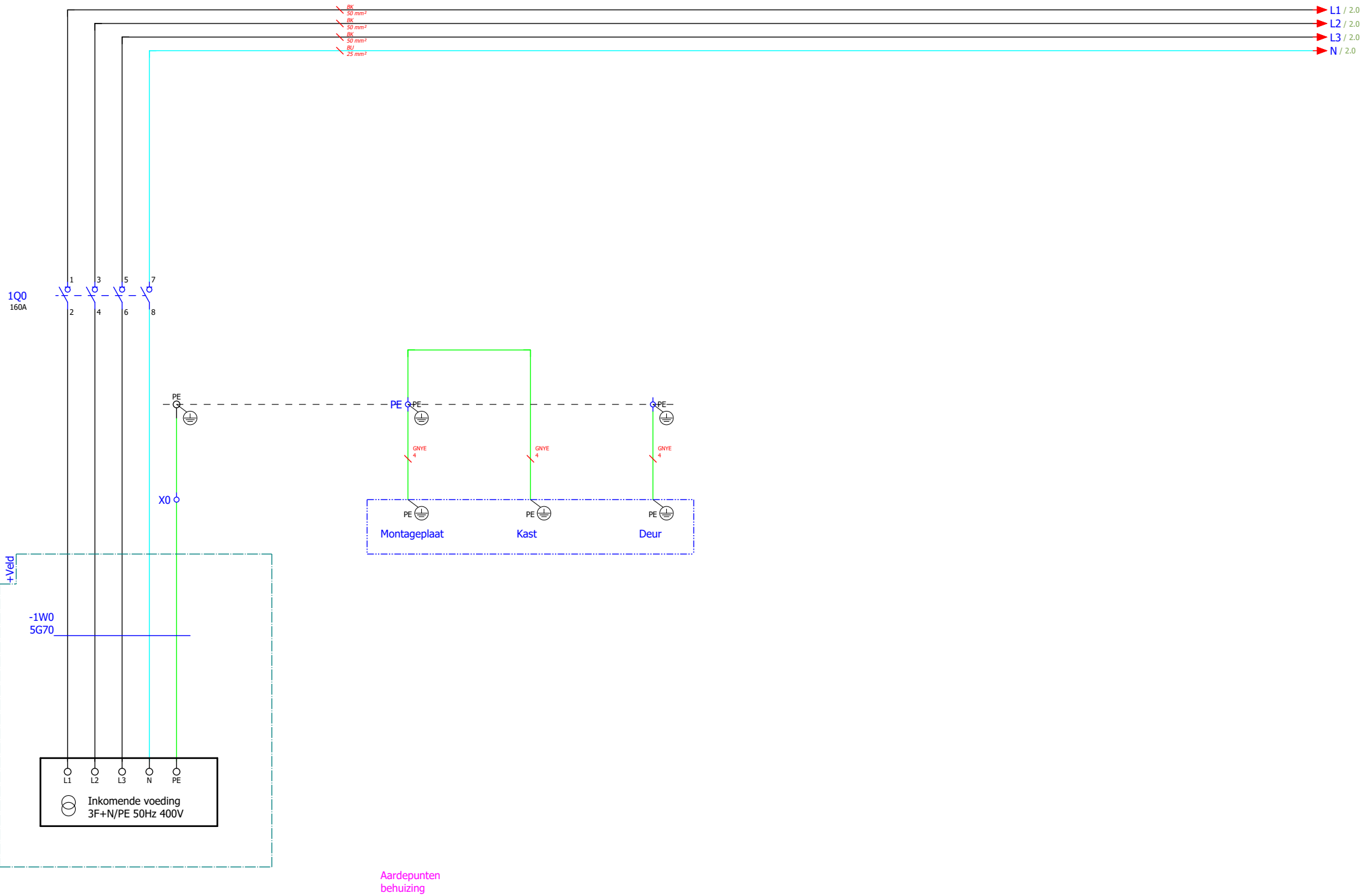
S1:Zijwand links buiten

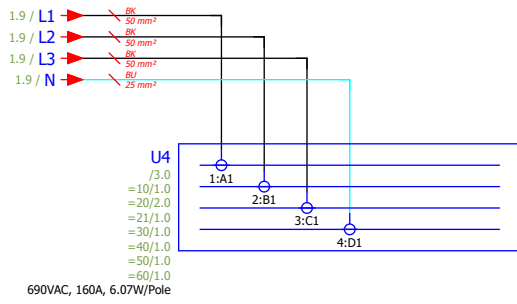


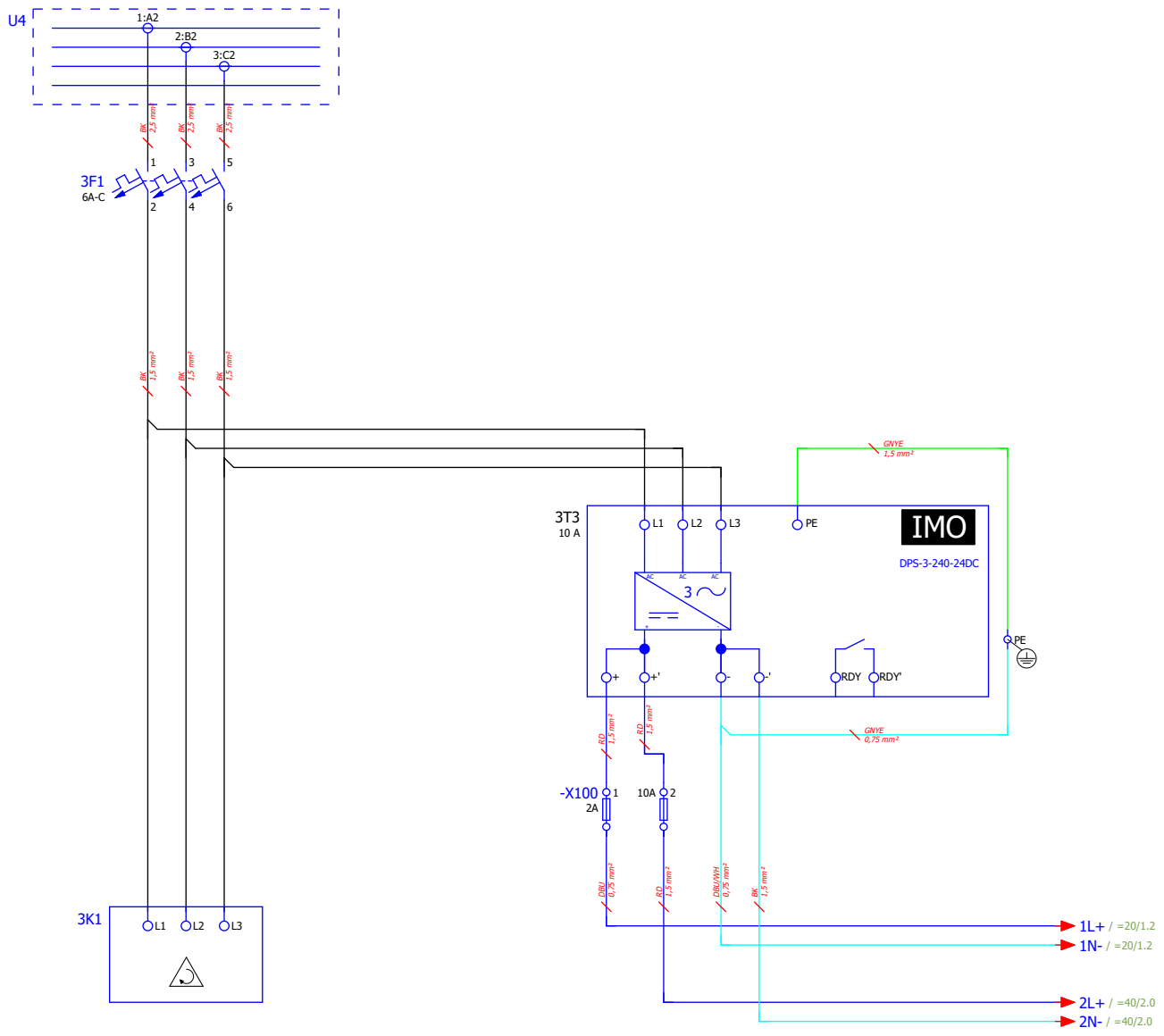
S1:Bodem buiten

Wartellijst

| Legendpositie | Artikel | Diameter |
|---------------|--|----------|
| 455 | LAPP SKINTOP® ST-M Wartel M32 Polyamide RAL 7035 | M32 |
| 456 | LAPP SKINTOP® ST-M Wartel M25 Polyamide RAL 7035 | M25 |
| 457 | LAPP SKINTOP® ST-M Wartel M20 Polyamide RAL 7035 | M20 |
| 458 | LAPP SKINTOP® ST-M Wartel M16 Polyamide RAL 7035 | M16 |
| 459 | LAPP SKINTOP® ST-M Wartel M25 Polyamide RAL 7035 | M25 |
| 461 | LAPP SKINTOP® ST-M Wartel M25 Polyamide RAL 7035 | M25 |
| 462 | LAPP SKINTOP® ST-M Wartel M20 Polyamide RAL 7035 | |
| 463 | LAPP SKINTOP® ST-M Wartel M20 Polyamide RAL 7035 | M20 |
| 464 | LAPP SKINTOP® ST-M Wartel M20 Polyamide RAL 7035 | M20 |
| 465 | LAPP SKINTOP® ST-M Wartel M16 Polyamide RAL 7035 | M16 |
| 506 | - ??? - | M63 |
| 507 | - ??? - | M40 |





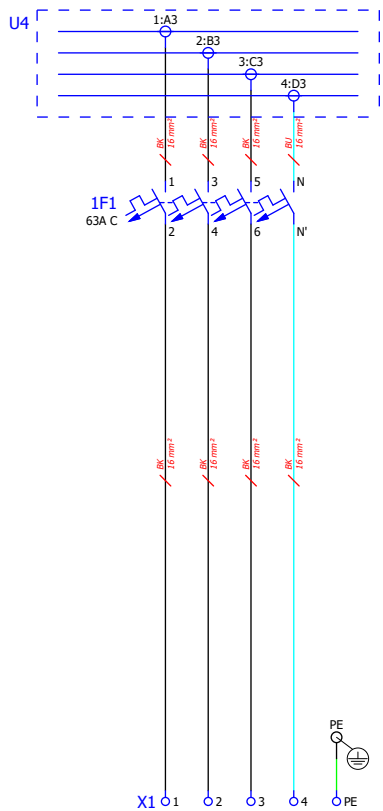


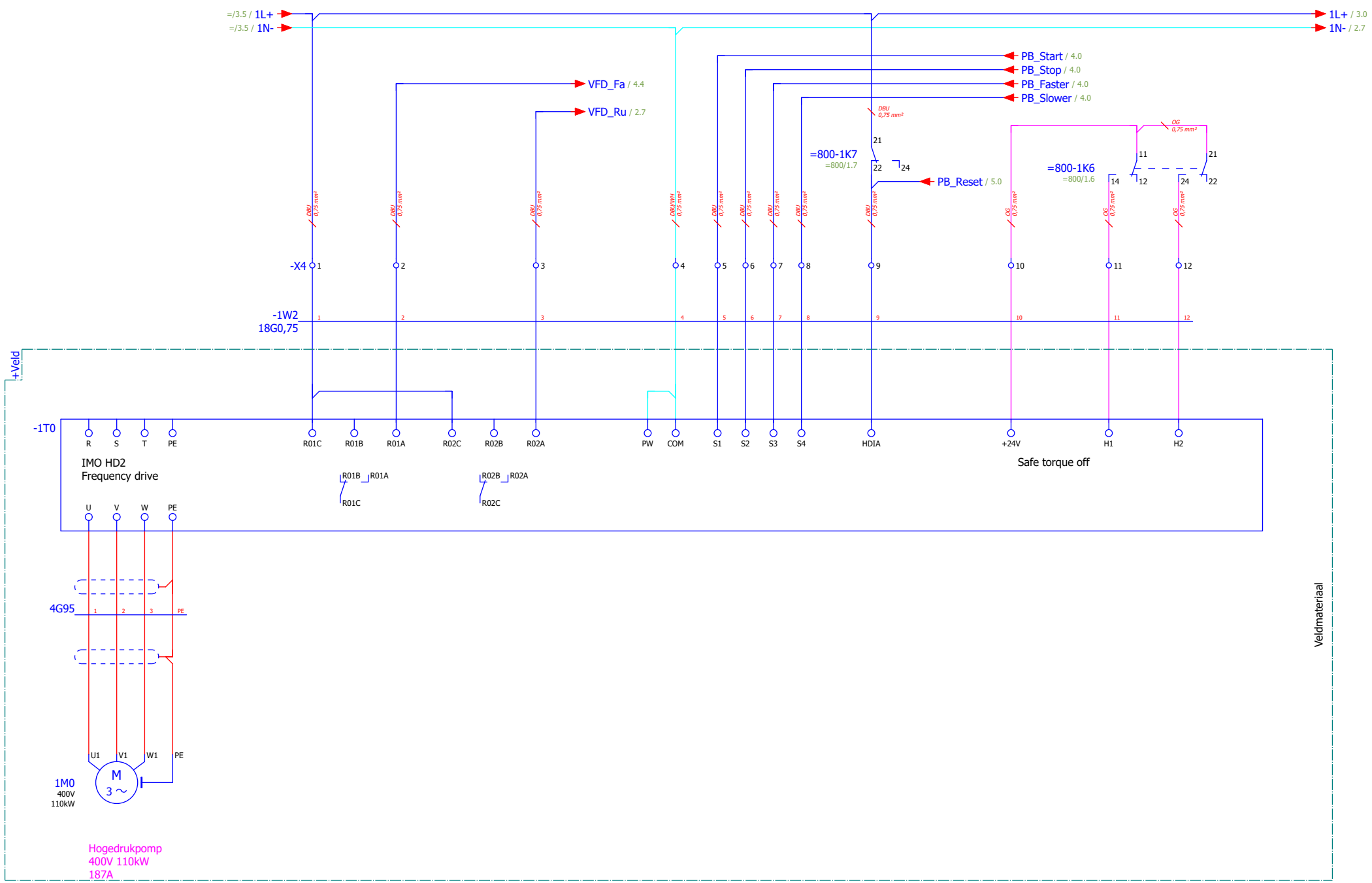
14
12
24
22

11 =800/1,6
21

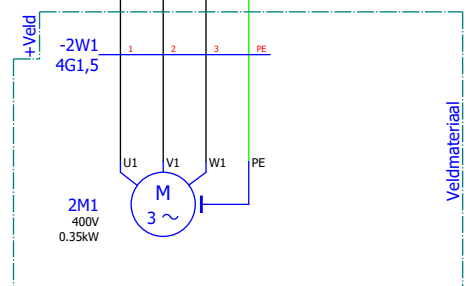
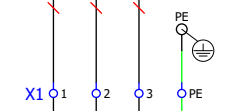
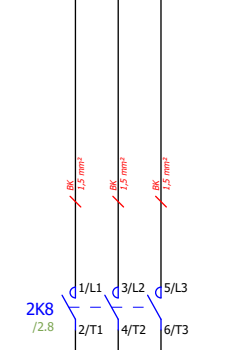
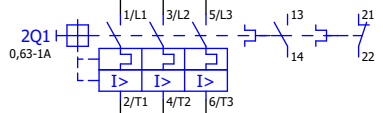
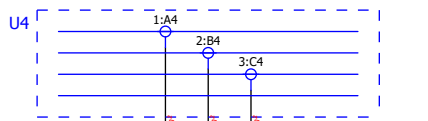
Phase monitoring

Powersupply
24VDC

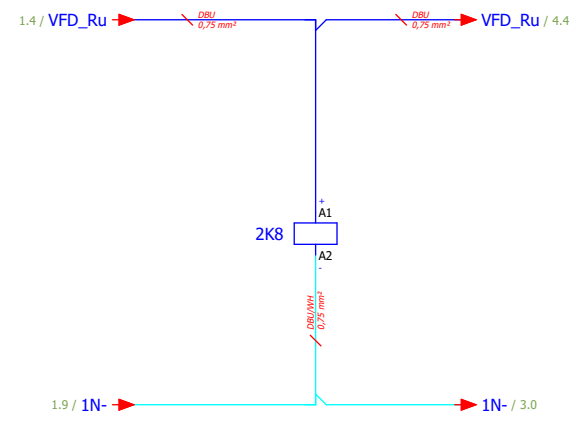




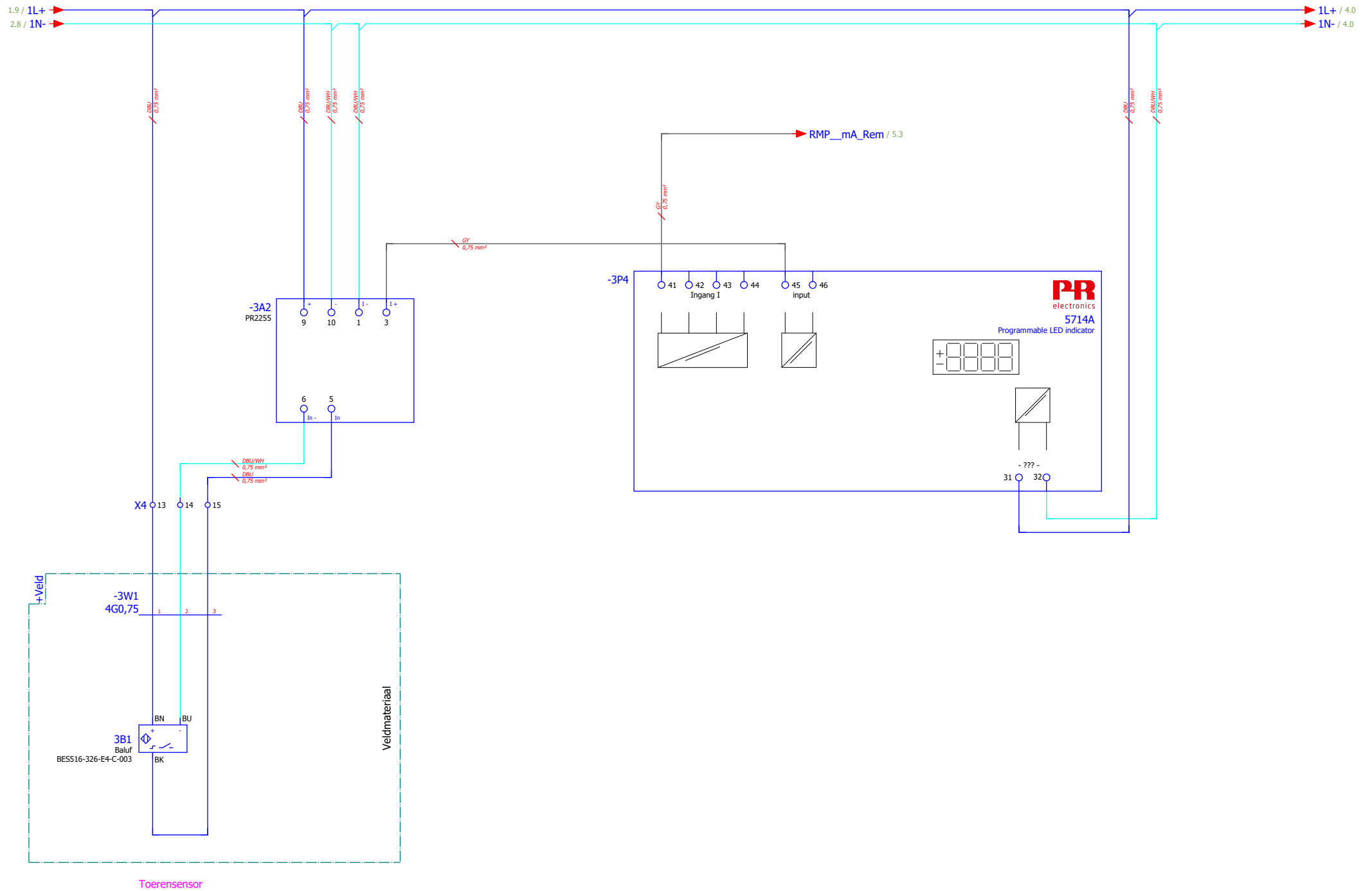
Veldmateriaal

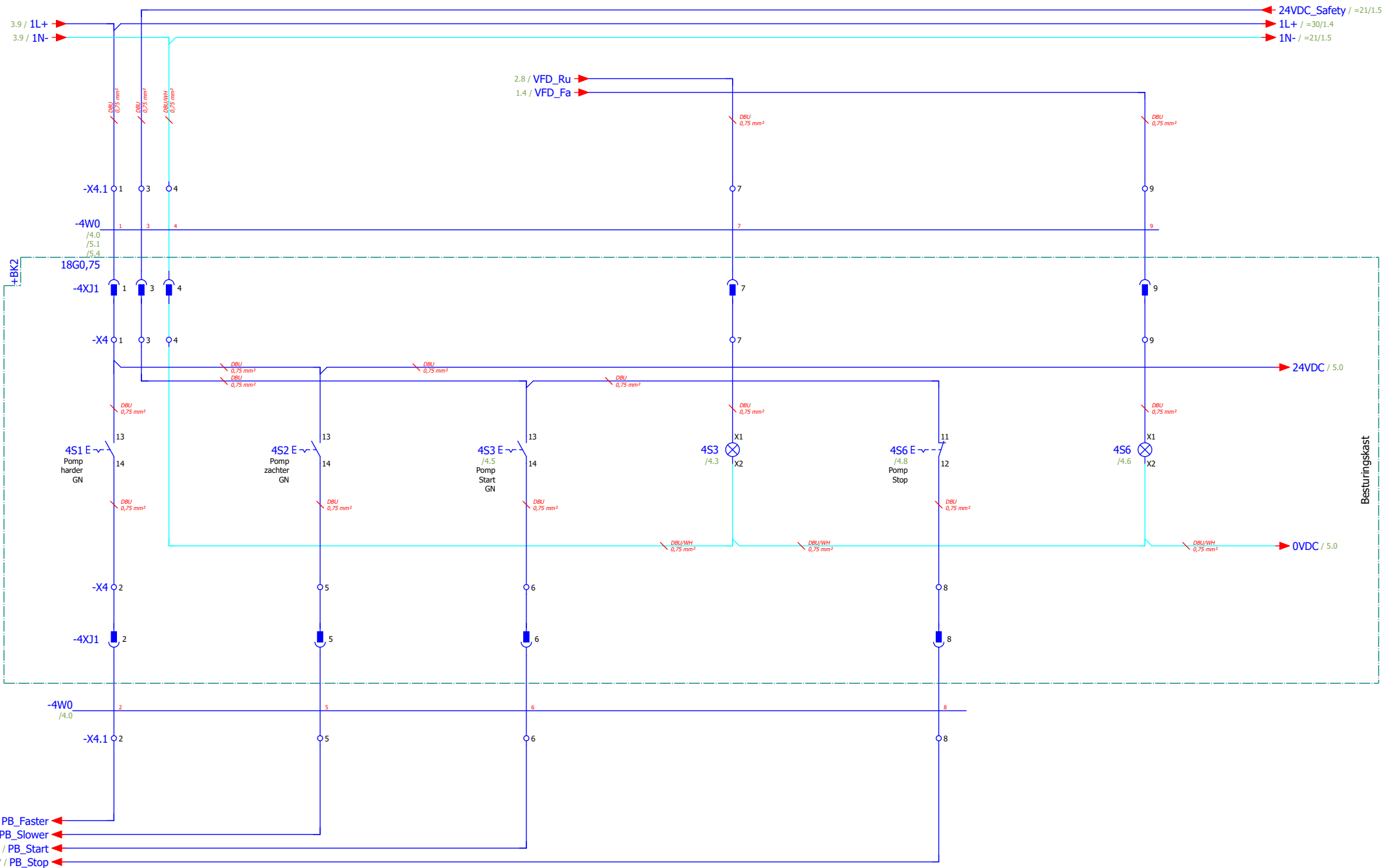


Ventilatie hogedruk pomp
400V 0.35kW
0,75A



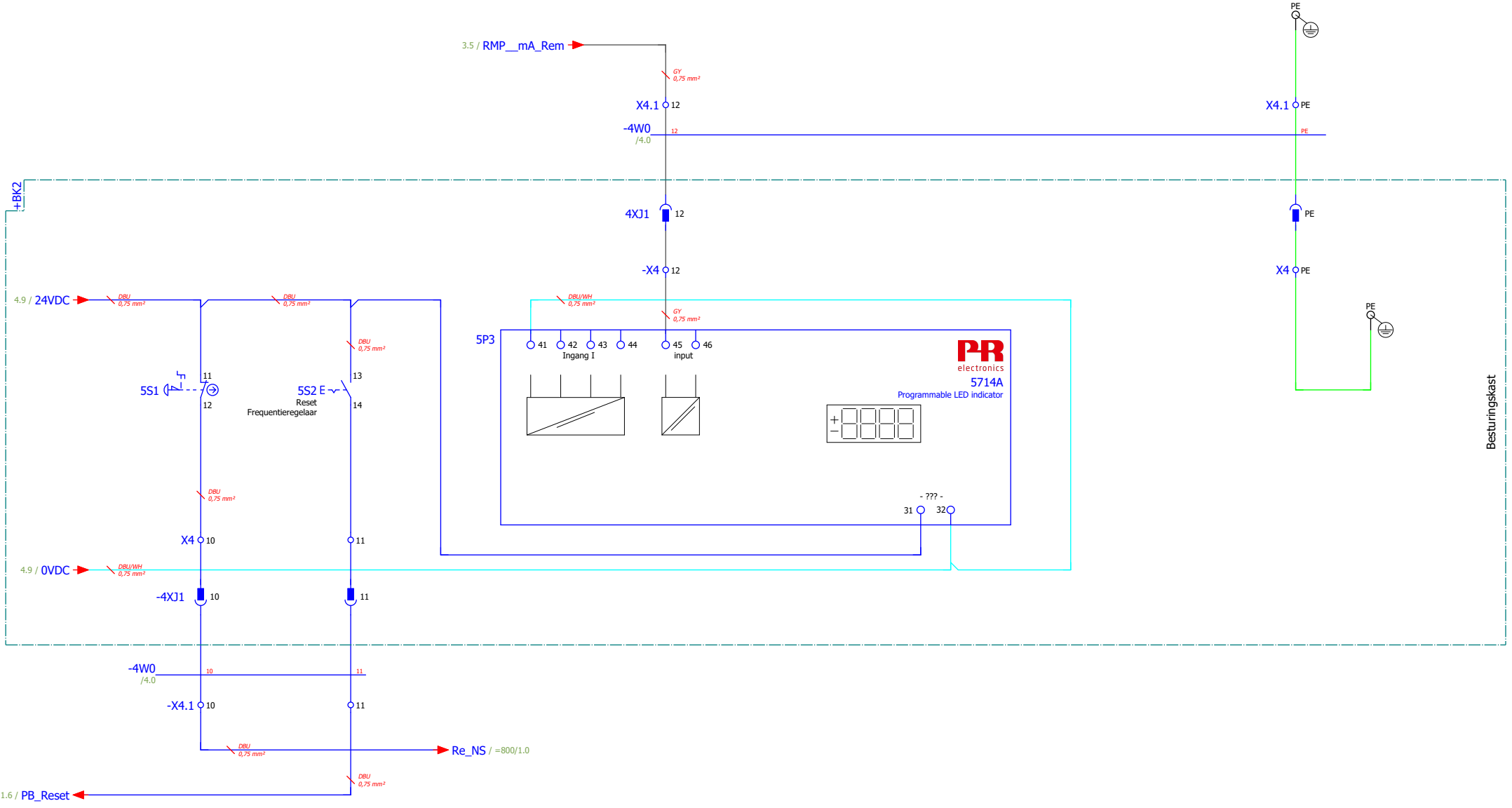
- 1/L1 ↔ 2/T1 /2.1
- 3/L2 ↔ 4/T2 /2.1
- 5/L3 ↔ 6/T3 /2.1
- 13 ↔ 14



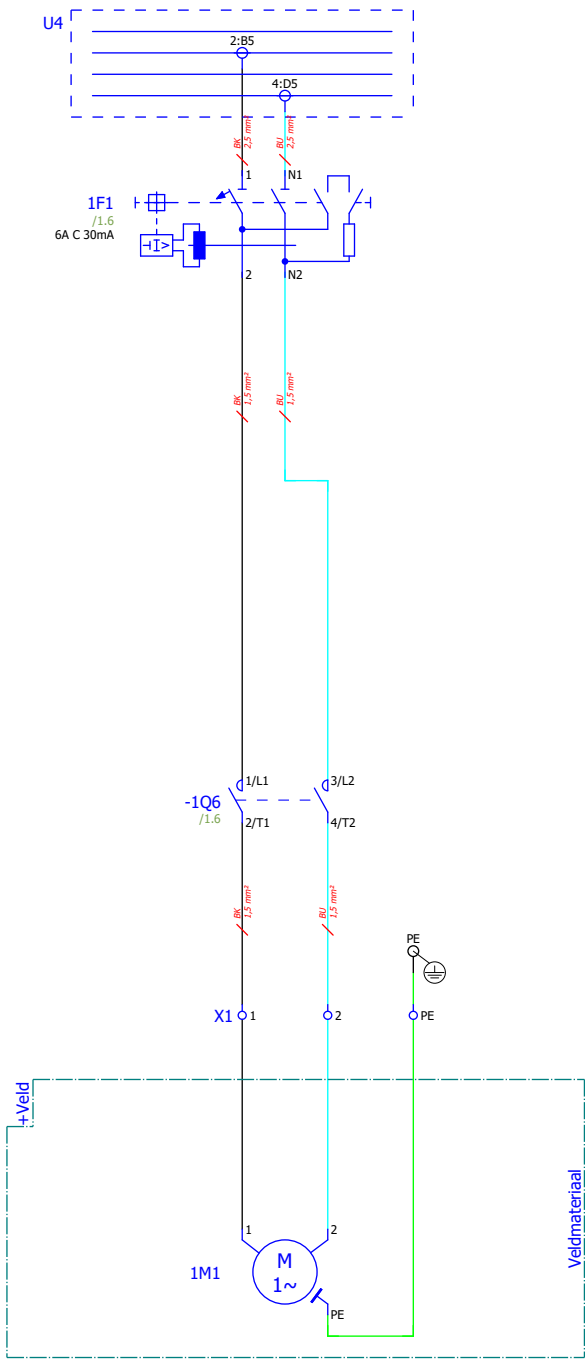


Besturingskast

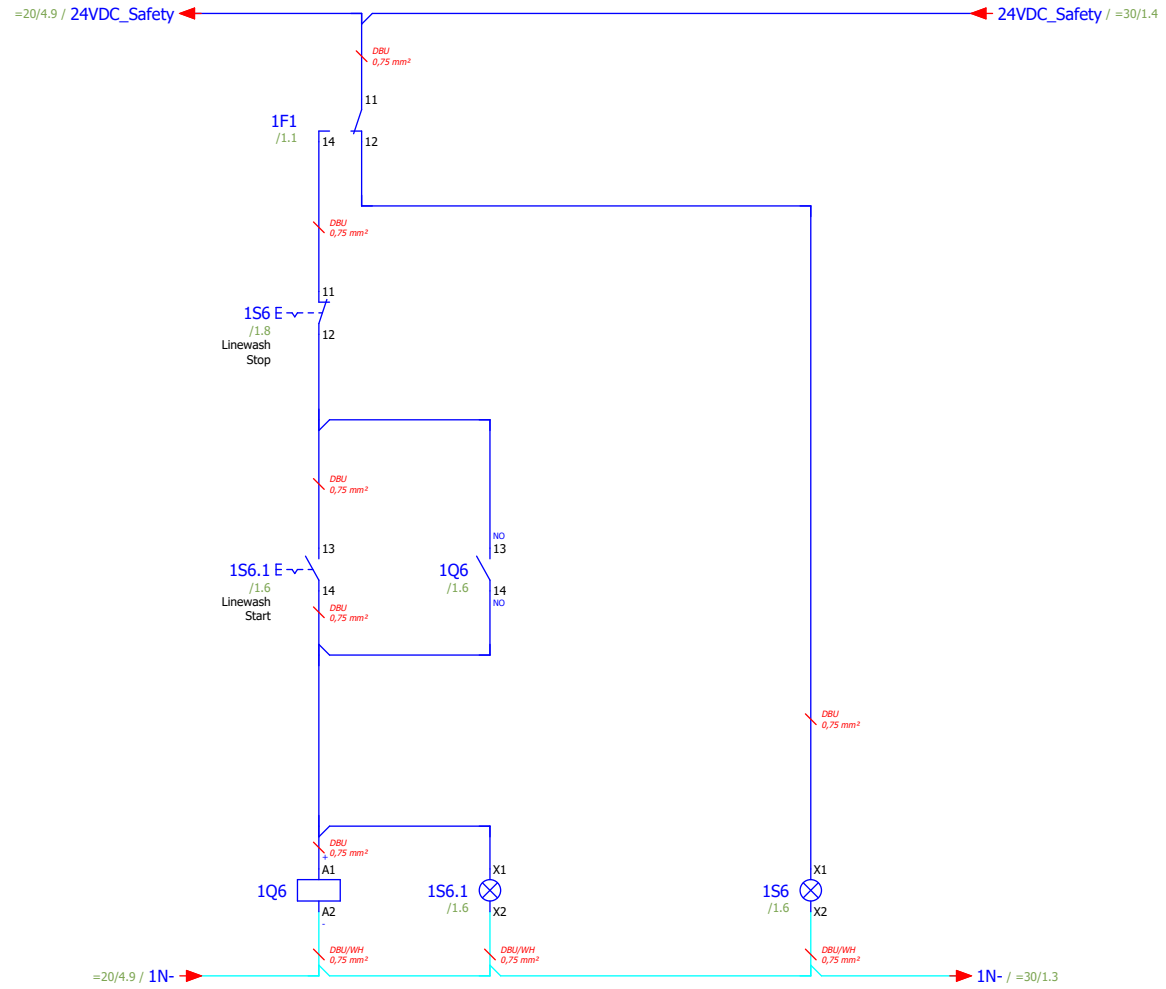
1.7 / PB_Faster
1.7 / PB_Slower
1.7 / PB_Start
1.7 / PB_Stop



Besturingskast



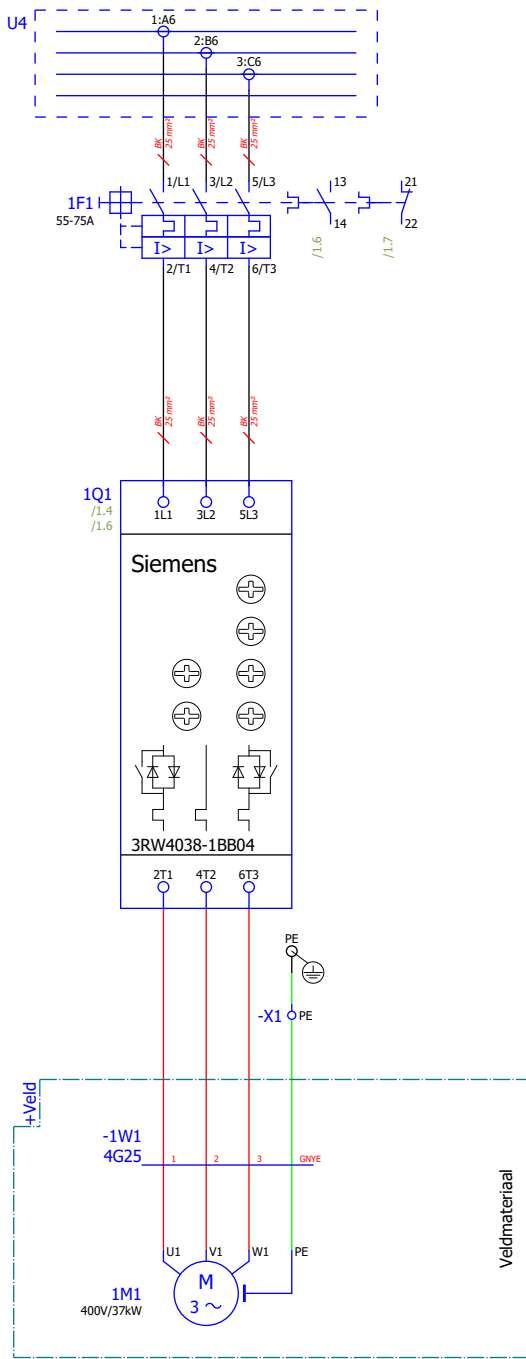
Linewashpomp
230VAC voedingsgroep



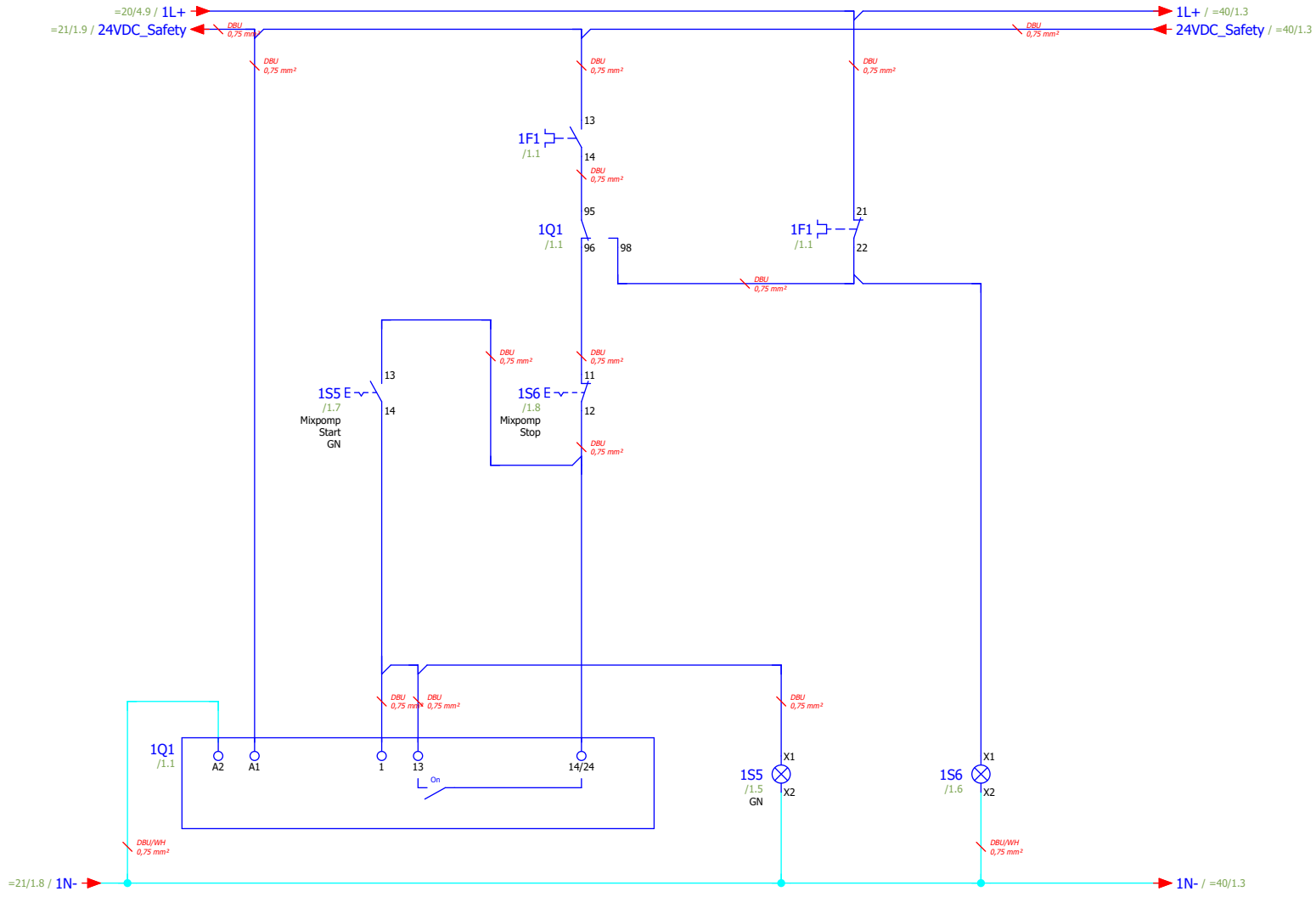
- 1/L1 ↔ 2/T1 /1.1
- 3/L2 ↔ 4/T2 /1.1
- 5/L3 ↔ 6/T3 /1.6
- 13 ↔ 14 /1.6
- 21 ↔ 22 =800/1.5

Start/stop
Linewash

Linewash
error

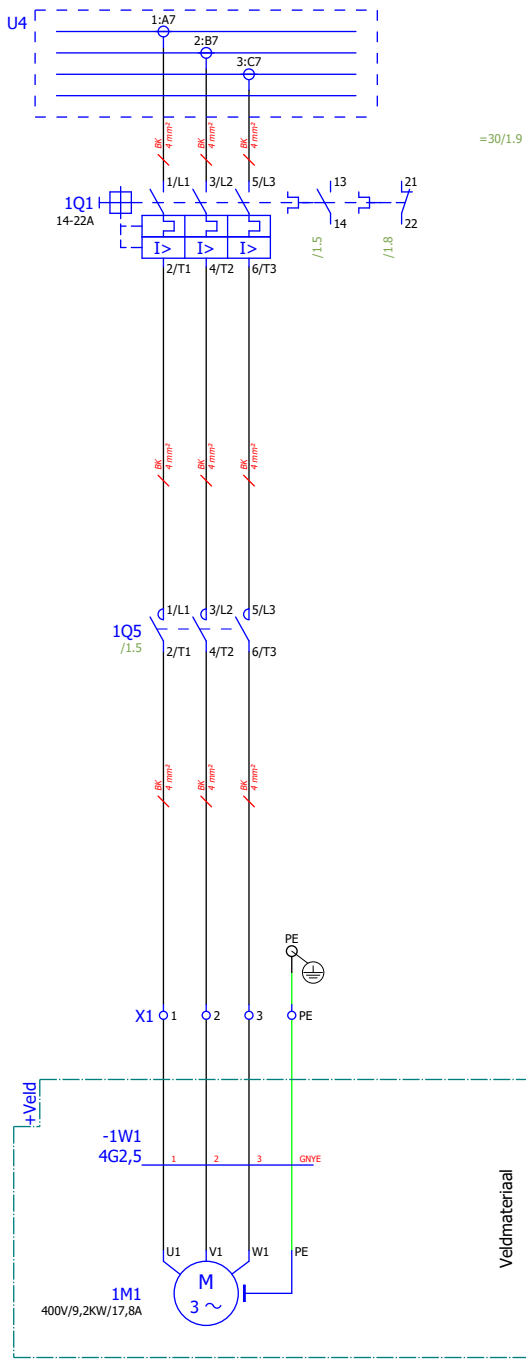


Mixpump
37kW
65A



Start
Pomp

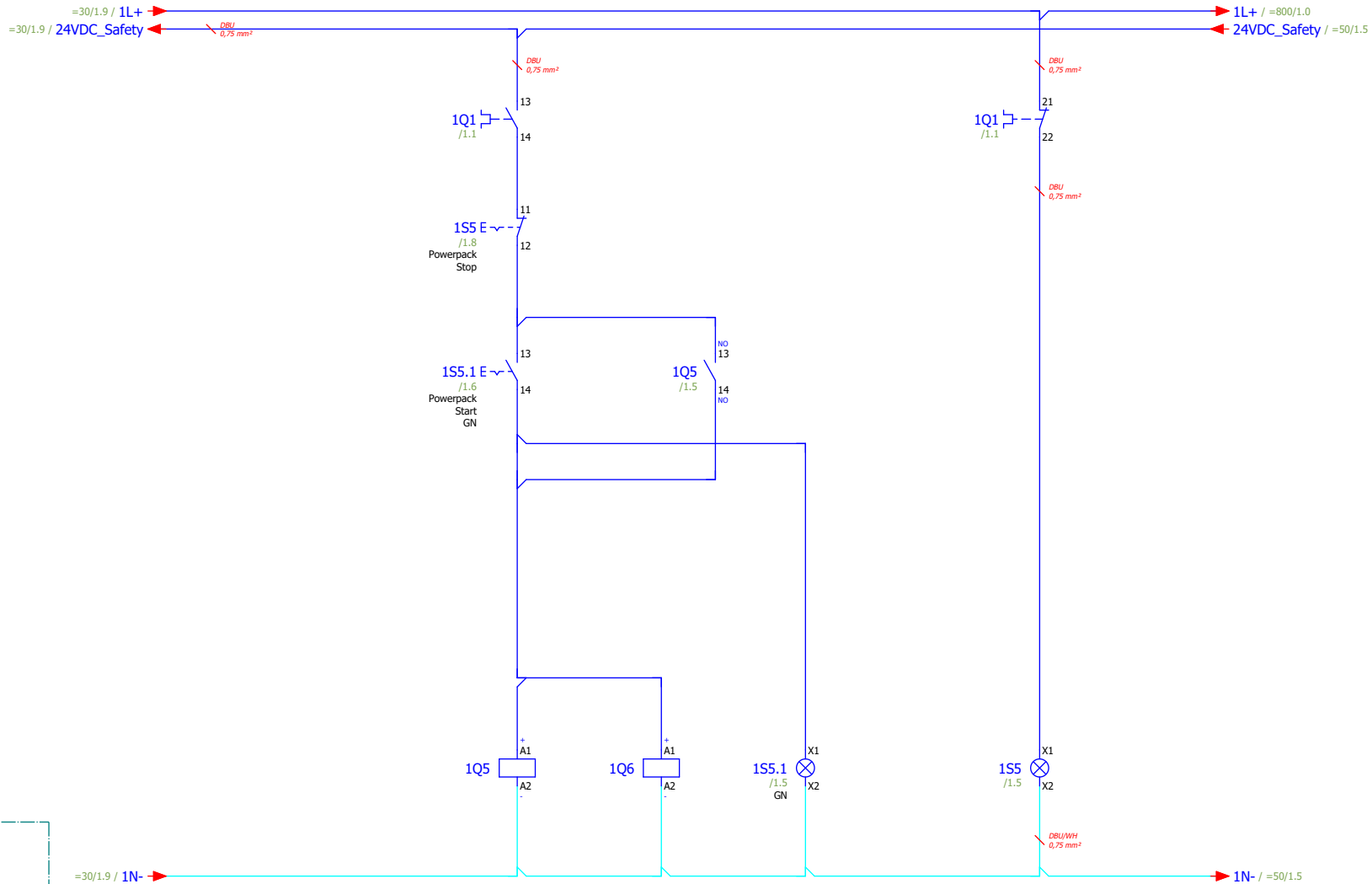
Stop
Pomp



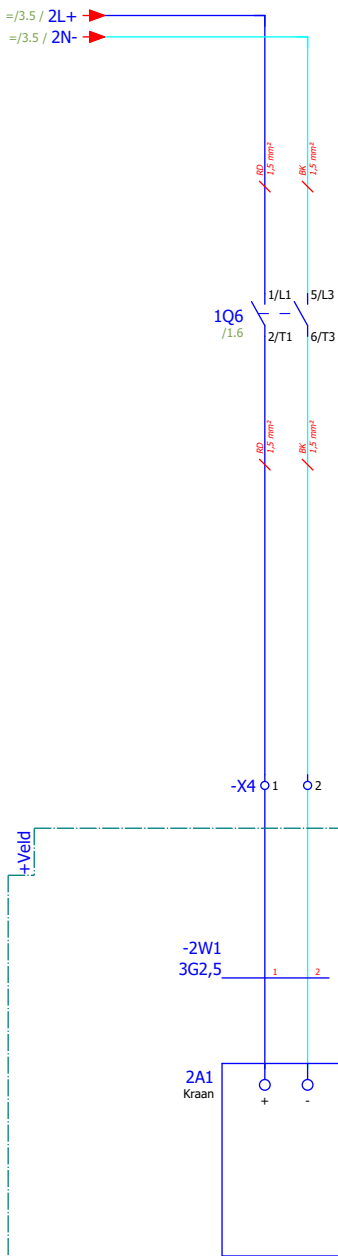
Powerpack
9,2kW
17,8A

Veldmateriaal

Start
Powerpack

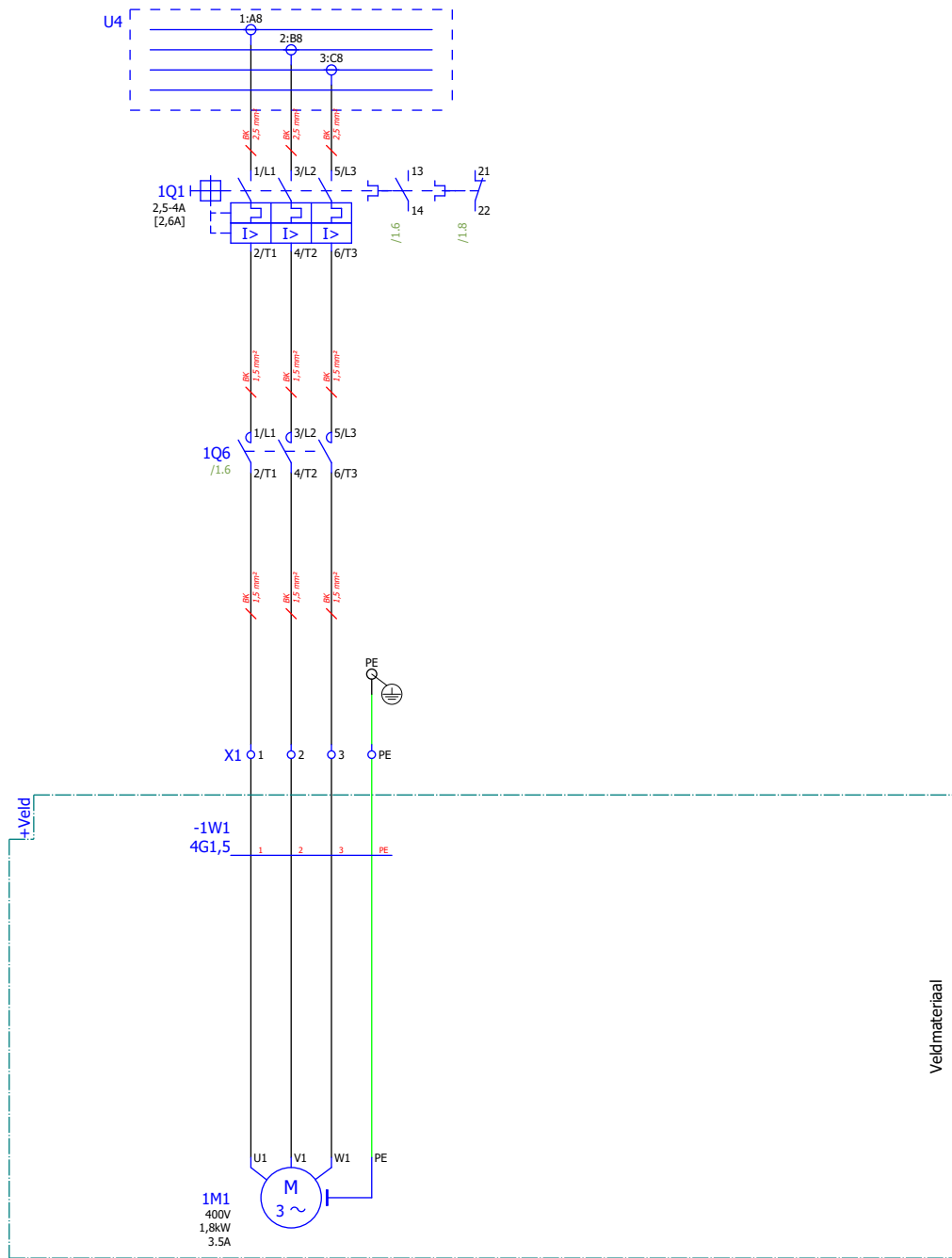


- 1/L1 ↔ 2/T1 /1.1
- 3/L2 ↔ 4/T2 /1.1
- 5/L3 ↔ 6/T3 /1.1
- 13 ↔ 14 /1.6
- 1/L1 ↔ 2/T1 /2.1
- 3/L2 ↔ 4/T2 /1.1
- 5/L3 ↔ 6/T3 /2.1
- 13 ↔ 14

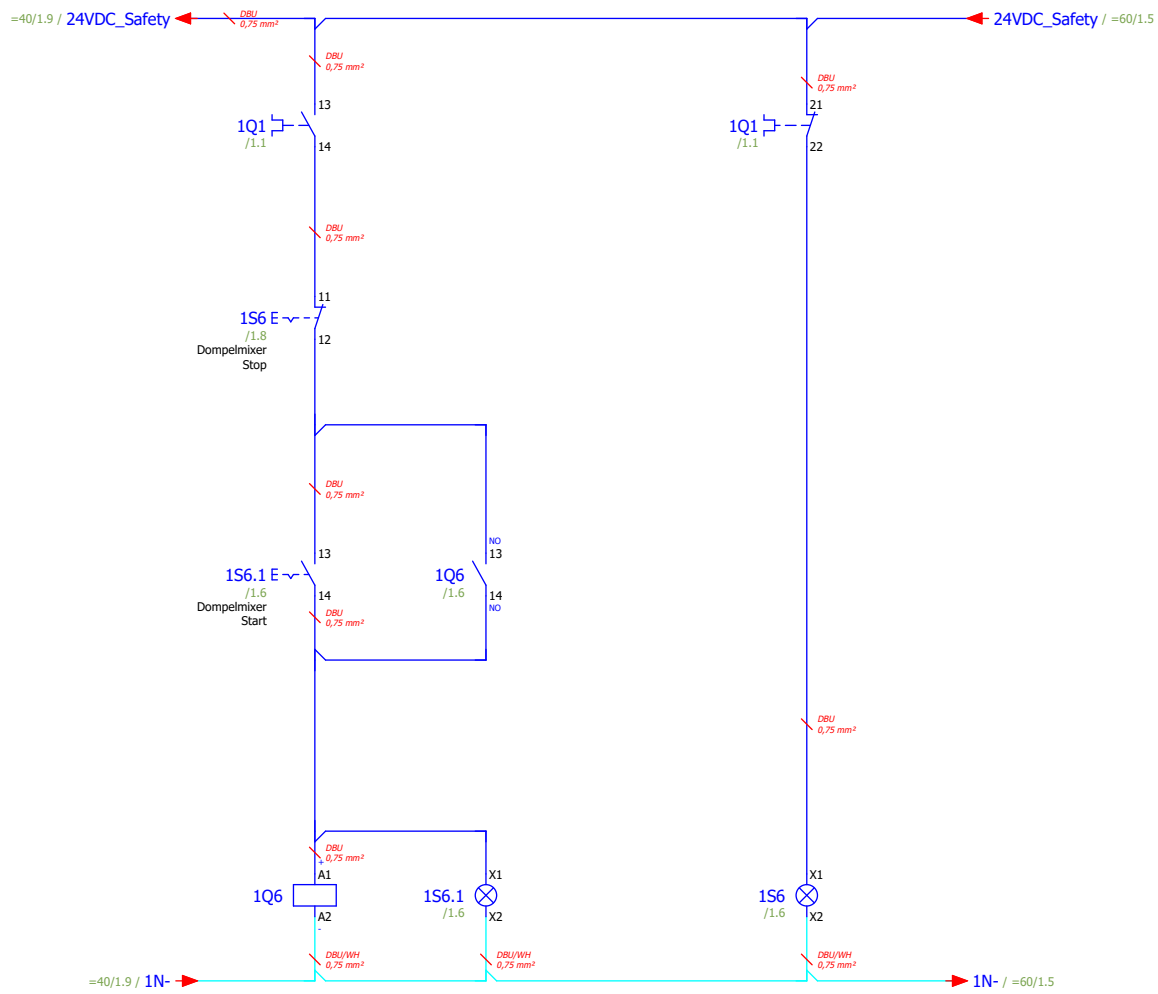


Veldmateriaal

Kraanbesturingskast



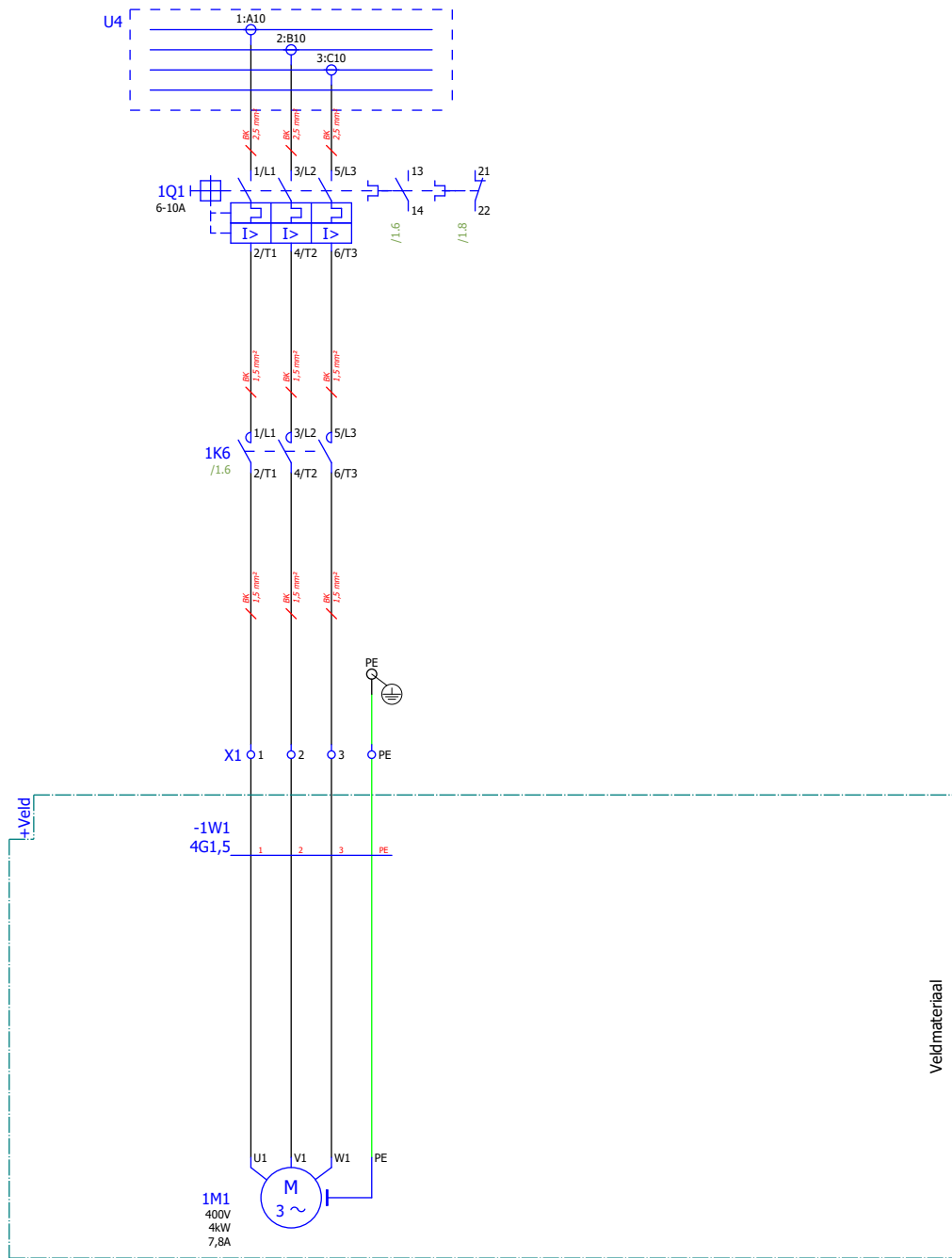
Dampelmixer



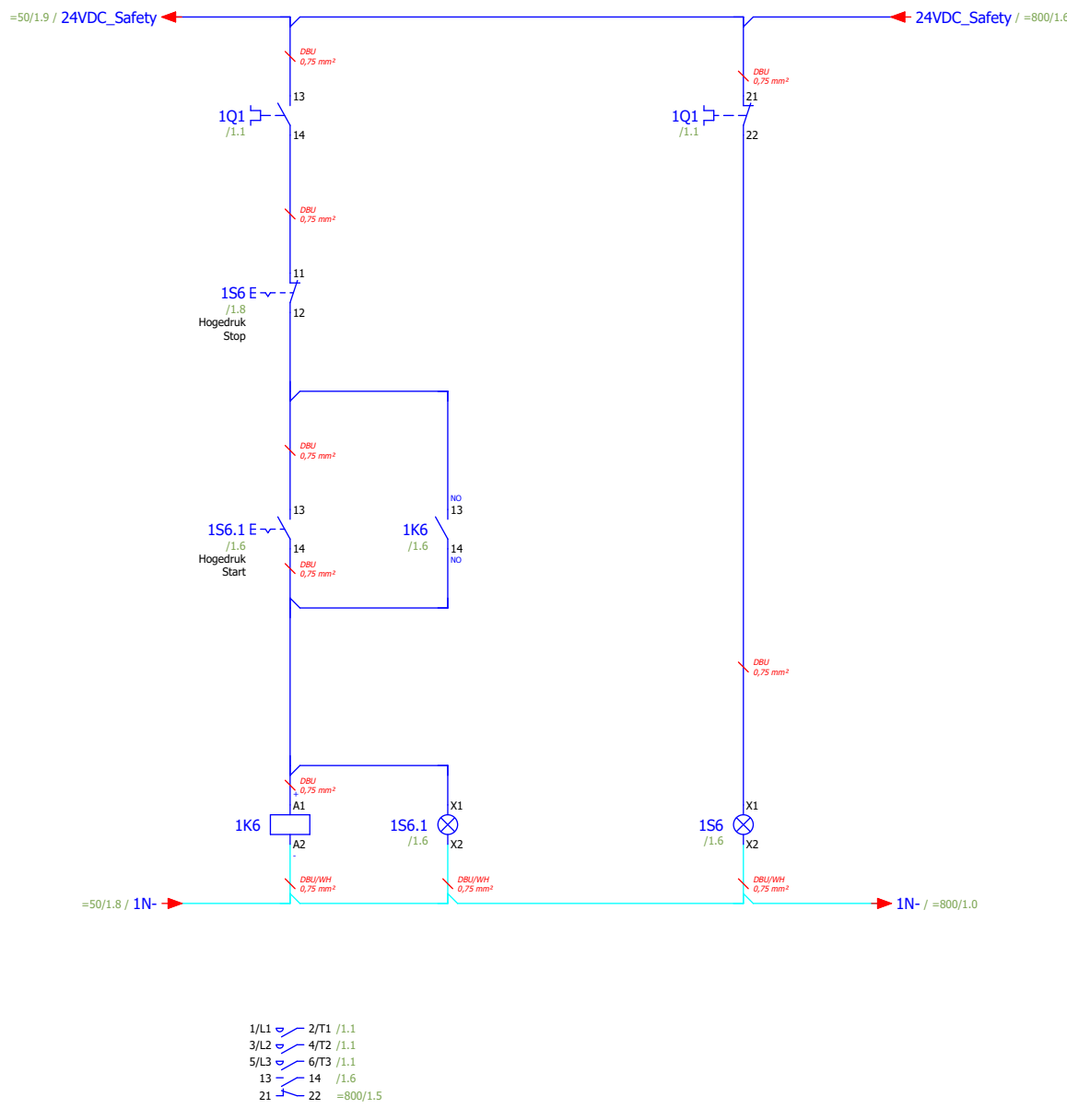
Start/stop Dampelmixer

Dampelmixer error

- 1/L1 ↔ 2/T1 /1.1
- 3/L2 ↔ 4/T2 /1.1
- 5/L3 ↔ 6/T3 /1.1
- 13 ↔ 14 /1.6
- 21 ↔ 22 =800/1.5



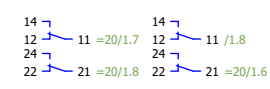
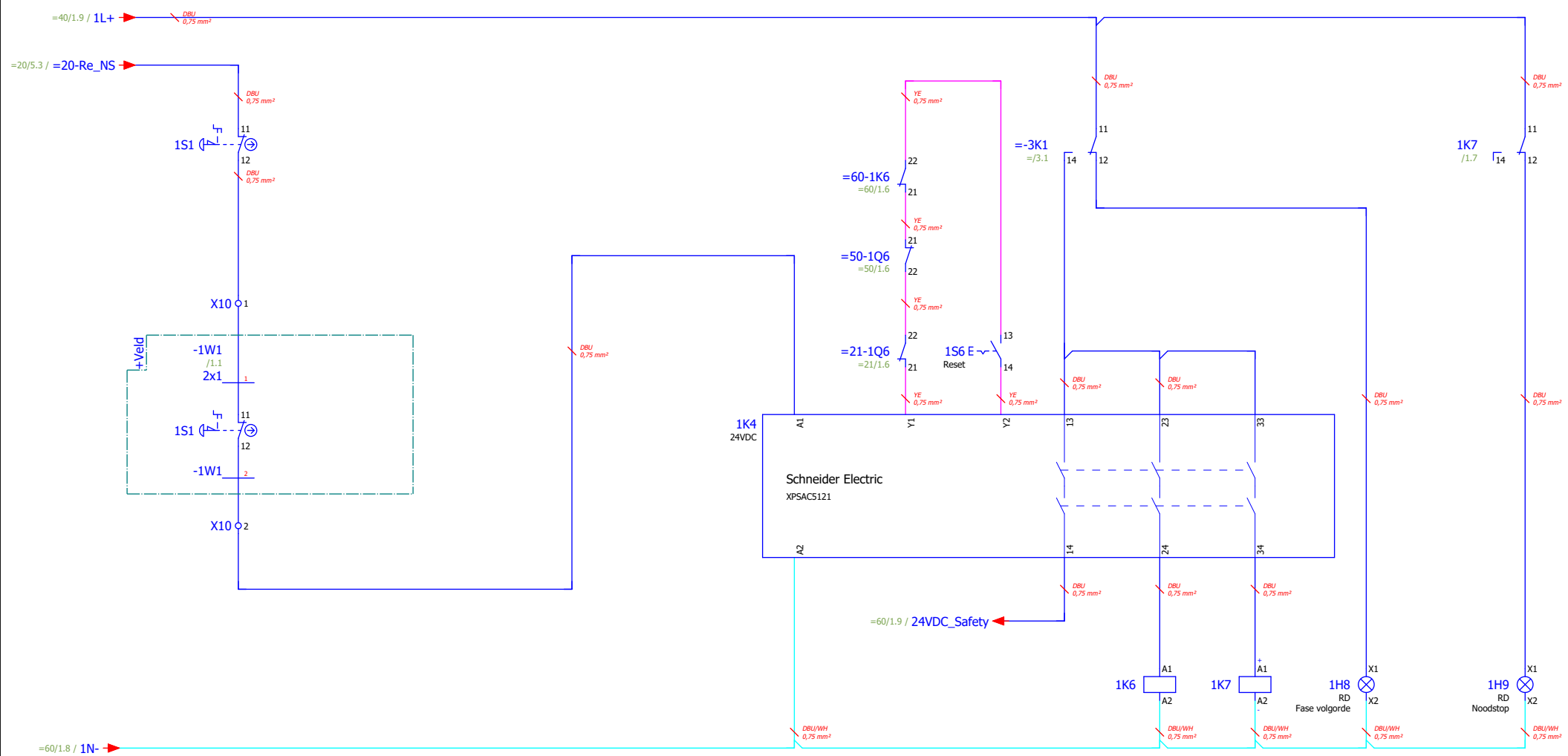
Hogedrukspuit



Start/stop
Hogedruk

Hogedruk
error

- 1/L1 ↔ 2/T1 /1.1
- 3/L2 ↔ 4/T2 /1.1
- 5/L3 ↔ 6/T3 /1.1
- 13 ↔ 14 /1.6
- 21 ↔ 22 =800/1.5



Emergencystop
Controlpanels

Emergencystop
relay

Error Turning
Direction

Artikellijst

F01_UDA_V00

| Onderdeelcode | Hoeveelheid | Code | Typenummer | Leverancier | Artikelnummer |
|---------------|-------------|---|----------------|------------------------|--------------------|
| -? | 1 | Hole Plug, To Plug A Standard | B3-DUSW | IMO Precision Controls | IMO.B3-DUSW |
| -?.1 | 1 | Hole Plug, To Plug A Standard | B3-DUSW | IMO Precision Controls | IMO.B3-DUSW |
| -3F1 | 1 | MCB 10kA, C Curve 3 Pole, 6 Amp | B10C3006A | IMO Precision Controls | IMO.B10C3006A |
| -3K1 | 1 | Drie-fase stuurrelais 183 ... 528Vac, 2 C / O | RM22TG20 | Schneider Electric | SE.RM22TG20 |
| -PE | 2 | Eindsteun | ES1 | IMO Precision Controls | IMO.ES1 |
| -PE | 1 | Tag-houder | GMBEIGE | IMO Precision Controls | IMO.GMBEIGE |
| -PE | 2 | Aardklem | SCPE4 | IMO Precision Controls | IMO.SCPE4 |
| -PE | 1 | Aardklem | SCPE2.5 | IMO Precision Controls | IMO.SCPE2.5 |
| -1Q0 | 1 | Lastscheider Compact INS160 - 4 polen - 160A | 28913 | Schneider Electric | SE.28913 |
| -1Q0 | 1 | Knop voor INS40-160 | LV428941 | Schneider Electric | SE.LV428941 |
| -1Q0 | 2 | 2 terminal lijkvaden - 3 polen / 4 polen - voor INS40..160 | 28958 | Schneider Electric | SE.28958 |
| -3T3 | 1 | Primair geschakelde voeding 400VAC input 240 Watt output 10A | DPS-3-240-24DC | IMO Precision Controls | IMO.DPS-3-240-24DC |
| -U1 | 1 | AE Kast 800x1000x300 1D 1MPL RVS 1.4301 | AE.1016600 | Rittal | RIT.1016600 |
| -U2 | 1 | - ??? - | 1609630050 | Hummel | HUM.1609630050 |
| -U2 | 1 | - ??? - | 1161630050 | Hummel | HUM.1161630050 |
| -U4 | 1 | TD Compact Four Pole Distribution Block, 160 A | TD-160A | Erico | EPX.563200 |
| -U5 | 1 | LIC 60 x 80 | 60 x 80 | Licatec | LIC.7332-1 |
| -U6 | 1 | LIC 60 x 80 | 60 x 80 | Licatec | LIC.7332-1 |
| -U7 | 1 | LIC 60 x 80 | 60 x 80 | Licatec | LIC.7332-1 |
| -U8 | 1 | LIC 25 x 80 | 25 x 80 | Licatec | LIC.7329-1 |
| -U9 | 1 | LIC 60 x 80 | 60 x 80 | Licatec | LIC.7332-1 |
| -U10 | 1 | LIC 40 x 80 | 40 x 80 | Licatec | LIC.7331-1 |
| -U11 | 1 | LIC 40 x 80 | 40 x 80 | Licatec | LIC.7331-1 |
| -U12 | 1 | LIC 60 x 80 | 60 x 80 | Licatec | LIC.7332-1 |
| -U13 | 1 | LIC 40 x 80 | 40 x 80 | Licatec | LIC.7331-1 |
| -U14 | 1 | LIC 60 x 80 | 60 x 80 | Licatec | LIC.7332-1 |
| -U15 | 1 | LIC 80 x 80 | 80 x 80 | Licatec | LIC.7333-1 |
| -U16 | 1 | Din- en montage rail H7,5 geperfor.6,3mm sendzimir verzinkt | 34-TS35/FSZ-1 | Calpe | CAL.34-TS35/FSZ-1 |
| -U17 | 1 | Din- en montage rail H7,5 geperfor.6,3mm sendzimir verzinkt | 34-TS35/FSZ-1 | Calpe | CAL.34-TS35/FSZ-1 |
| -U18 | 1 | Din- en montage rail H7,5 geperfor.6,3mm sendzimir verzinkt | 34-TS35/FSZ-1 | Calpe | CAL.34-TS35/FSZ-1 |
| -U19 | 1 | Din- en montage rail H7,5 geperfor.6,3mm sendzimir verzinkt | 34-TS35/FSZ-1 | Calpe | CAL.34-TS35/FSZ-1 |
| -U20 | 1 | Din- en montage rail H7,5 geperfor.6,3mm sendzimir verzinkt | 34-TS35/FSZ-1 | Calpe | CAL.34-TS35/FSZ-1 |
| -U21 | 1 | Din- en montage rail H7,5 geperfor.6,3mm sendzimir verzinkt | 34-TS35/FSZ-1 | Calpe | CAL.34-TS35/FSZ-1 |
| -U22 | 1 | Din- en montage rail H7,5 geperfor.6,3mm sendzimir verzinkt | 34-TS35/FSZ-1 | Calpe | CAL.34-TS35/FSZ-1 |
| -U23 | 1 | Din- en montage rail H7,5 geperfor.6,3mm sendzimir verzinkt | 34-TS35/FSZ-1 | Calpe | CAL.34-TS35/FSZ-1 |
| -U24 | 1 | Din- en montage rail H7,5 geperfor.6,3mm sendzimir verzinkt | 34-TS35/FSZ-1 | Calpe | CAL.34-TS35/FSZ-1 |
| -U25 | 1 | Brady Y437259 Veiligheids pictogram 50x50 | 250221 | Brady | BRA.250221 |
| -U26 | 1 | Unidrive Automation domingsticker | D8050 | Unidrive Automation | UDA.D8050 |
| -X0 | 1 | Eindsteun | ES1 | IMO Precision Controls | IMO.ES1 |
| -X0 | 1 | Tag-houder | GMBEIGE | IMO Precision Controls | IMO.GMBEIGE |
| -X100 | 2 | Eindsteun | ES1 | IMO Precision Controls | IMO.ES1 |
| -X100 | 1 | Tag-houder | GMBEIGE | IMO Precision Controls | IMO.GMBEIGE |
| -X100 | 2 | 2-draads zekeringsklem voor autozekerings | 282-696 | Wago | WA.282-696 |
| -X100 | 1 | Automotivezekering 2A | MCATP-L-E 2A | Multicomp | MUL.MCATP-L-E 2A |
| -X100 | 1 | Automotivezekering 10A | MCATP-L-E 10A | Multicomp | MUL.MCATP-L-E 10A |
| =10-1F1 | 1 | MCB 10kA, C Curve 3+N Pole, 63 Amp | B10C3N32A-L | IMO Precision Controls | IMO.B10C3N63A |
| =10-1F1 | 1 | Aardleedautomaat C10 30mA | B6CR1N10-30-A | IMO Precision Controls | IMO.B6CR1N10-30-A |
| =10-U1 | 1 | LAPP SKINTOP® ST-M Wartel M32 Polyamide RAL 7035 | 53111440 | LAPP | LAPP.53111440 |
| =10-X1 | 1 | Eindsteun | ES1 | IMO Precision Controls | IMO.ES1 |
| =10-X1 | 1 | Tag-houder | GMBEIGE | IMO Precision Controls | IMO.GMBEIGE |
| =10-X1 | 4 | Aansluitklem | ER16 | IMO Precision Controls | IMO.ER16 |
| =10-X1 | 1 | Aardklem 16mm² | ERPE16P | IMO Precision Controls | IMO.ERPE16P |
| =20-3A2 | 1 | f/I-f/f converter | 2255-B-1 | PR electronics | PR.2255-B-1 |
| =20-2K8 | 1 | Contactoer 3 Pole Open 4kW 10A AC3, 1 Normally Open Auxiliary 24V DC Coil | MCD10-S-10=24 | IMO Precision Controls | IMO.MCD10-S-10=24 |
| =20-3P4 | 1 | Programmable LED indicator | 5714A | PR electronics | PR.5714A |
| =20-2Q1 | 1 | Thermal Magnetic Motor Circuit Breaker 0,63-1A Magn. 13A | C4/32R-1 | IMO Precision Controls | IMO.C4/32R-1 |



Sitotec B.V.
MP750E (110kW)
AS-Built (A)

| | |
|------|------------------|
| +BK1 | Besturingskast 1 |
| &APB | Onderdelenlijst |
| = | |

Artikellijst : IMO.B3-DUSW - IMO.C4/32R-1

| | |
|----------------|---------------------|
| Projectnummer: | 2220633 |
| Getekend: | JY Datum: 31-1-2022 |
| Wijziging: | JY Datum: 21-3-2023 |
| Blad: | 1 |

Artikellijst

F01_UDA_V00

| Onderdeelcode | Hoeveelheid | Code | Typenummer | Leverancier | Artikelnummer |
|---------------|-------------|--|---------------|------------------------|-------------------|
| =20-2Q1 | 1 | Auxiliary Contact Block 1 NO 1NC Top Mounting For C4/32/63/100 Breakers | C4HQ11 | IMO Precision Controls | IMO.C4HQ11 |
| =20-U1 | 1 | LAPP SKINTOP® ST-M Wartel M25 Polyamide RAL 7035 | 53111430 | LAPP | LAPP.53111430 |
| =20-U2 | 1 | LAPP SKINTOP® ST-M Wartel M20 Polyamide RAL 7035 | 53111420 | LAPP | LAPP.53111420 |
| =20-U3 | 1 | LAPP SKINTOP® ST-M Wartel M16 Polyamide RAL 7035 | 53111410 | LAPP | LAPP.53111410 |
| =20-U4 | 1 | LAPP SKINTOP® ST-M Wartel M25 Polyamide RAL 7035 | 53111430 | LAPP | LAPP.53111430 |
| =20-X1 | 1 | Eindsteun | ES1 | IMO Precision Controls | IMO.ES1 |
| =20-X1 | 1 | Tag-houder | GMBEIGE | IMO Precision Controls | IMO.GMBEIGE |
| =20-X1 | 3 | Spring Clamp Terminal 4mm², 600V, 26A Beige | SC4 | IMO Precision Controls | IMO.SC4 |
| =20-X1 | 1 | Aardklem | SCPE4 | IMO Precision Controls | IMO.SCPE4 |
| =20-X4 | 1 | Eindsteun | ES1 | IMO Precision Controls | IMO.ES1 |
| =20-X4 | 1 | Tag-houder | GMBEIGE | IMO Precision Controls | IMO.GMBEIGE |
| =20-X4 | 8 | Spring Clamp Terminal 2.5mm², 600V, 20A, Double Deck Beige | SCD2.5BEIGE | IMO Precision Controls | IMO.SCD2.5BEIGE |
| =20-X4.1 | 1 | Eindsteun | ES1 | IMO Precision Controls | IMO.ES1 |
| =20-X4.1 | 1 | Tag-houder | GMBEIGE | IMO Precision Controls | IMO.GMBEIGE |
| =20-X4.1 | 6 | Spring Clamp Terminal 2.5mm², 600V, 20A, Double Deck Beige | SCD2.5BEIGE | IMO Precision Controls | IMO.SCD2.5BEIGE |
| =20-X4.1 | 1 | Aardklem | SCPE2.5 | IMO Precision Controls | IMO.SCPE2.5 |
| =21-1A0 | 1 | LAPP SKINTOP® ST-M Wartel M20 Polyamide RAL 7035 | 53111420 | LAPP | LAPP.53111420 |
| =21-1F1 | 1 | Aardleuautomat C6 30mA | B6CR1N06-30-A | IMO Precision Controls | IMO.B6CR1N06-30-A |
| =21-1F1 | 1 | MCB Aux Contact 1PCA, 6A @ 230VAC / 24VDC, 3A | B10-F3 | IMO Precision Controls | IMO.B10-F3 |
| =21-1Q6 | 1 | Contactoor 3 Pole Open 7.5kW 18A AC3, 1 Normally Open Auxiliary, 24V DC Coil | MCD18-S-10=24 | IMO Precision Controls | IMO.MCD18-S-10=24 |
| =21-1Q6 | 1 | Auxiliary Contact Block 1 Normally Closed Contact, For MC10 to MC115 Contactors, Top Mount | MCA01 | IMO Precision Controls | IMO.MCA01 |
| =21-1S6 | 1 | Drukknop verlicht rood | B3DLGRED | IMO Precision Controls | IMO.B3DLRED |
| =21-1S6 | 1 | Contact frame | B3S | IMO Precision Controls | IMO.B3S |
| =21-1S6 | 1 | Contact NC | B3T01 | IMO Precision Controls | IMO.B3T01 |
| =21-1S6 | 1 | Lamp holder | B3F | IMO Precision Controls | IMO.B3F |
| =21-1S6 | 1 | TTP 45x15 Tekstplaatje | 53000074 | Altec | ALT.53000074 |
| =21-1S6.1 | 1 | Drukknop verlicht groen | B3DLGREEN | IMO Precision Controls | IMO.B3DLGREEN |
| =21-1S6.1 | 1 | Contact frame | B3S | IMO Precision Controls | IMO.B3S |
| =21-1S6.1 | 1 | Contact NO | B3T10 | IMO Precision Controls | IMO.B3T10 |
| =21-1S6.1 | 1 | Lamp holder | B3F | IMO Precision Controls | IMO.B3F |
| =21-1S6.1 | 1 | TTP 45x15 Tekstplaatje | 53000074 | Altec | ALT.53000074 |
| =21-X1 | 1 | Eindsteun | ES1 | IMO Precision Controls | IMO.ES1 |
| =21-X1 | 1 | Tag-houder | GMBEIGE | IMO Precision Controls | IMO.GMBEIGE |
| =21-X1 | 2 | Spring Clamp Terminal 2.5mm², 600V, 20A Beige | SC2.5 | IMO Precision Controls | IMO.SC2.5 |
| =21-X1 | 1 | Aardklem | SCPE4 | IMO Precision Controls | IMO.SCPE4 |
| =30-1F1 | 1 | Thermal Magnetic Motor Circuit Breaker 55-75A Magn. 975A | C4/100R-75 | IMO Precision Controls | IMO.C4/100R-75 |
| =30-1F1 | 1 | Auxiliary Contact Block 1 NO 1NC Top Mounting For C4/32/63/100 Breakers | C4HQ11 | IMO Precision Controls | IMO.C4HQ11 |
| =30-1Q1 | 1 | - ??? - | 3RW4038-1BB04 | Siemens | SIE.3RW4038-1BB04 |
| =30-1S5 | 1 | Drukknop verlicht groen | B3DLGREEN | IMO Precision Controls | IMO.B3DLGREEN |
| =30-1S5 | 1 | Contact frame | B3S | IMO Precision Controls | IMO.B3S |
| =30-1S5 | 1 | Contact NO | B3T10 | IMO Precision Controls | IMO.B3T10 |
| =30-1S5 | 1 | TTP 45x15 Tekstplaatje | 53000074 | Altec | ALT.53000074 |
| =30-1S5 | 1 | Lamp holder | B3F | IMO Precision Controls | IMO.B3F |
| =30-1S6 | 1 | Drukknop verlicht rood | B3DLGRED | IMO Precision Controls | IMO.B3DLRED |
| =30-1S6 | 1 | Contact frame | B3S | IMO Precision Controls | IMO.B3S |
| =30-1S6 | 1 | Contact NC | B3T01 | IMO Precision Controls | IMO.B3T01 |
| =30-1S6 | 1 | TTP 45x15 Tekstplaatje | 53000074 | Altec | ALT.53000074 |
| =30-1S6 | 1 | Lamp holder | B3F | IMO Precision Controls | IMO.B3F |
| =30-U1 | 1 | - ??? - | 1609400050 | Hummel | HUM.1609400050 |
| =30-U1 | 1 | - ??? - | 1161400050 | Hummel | HUM.1161400050 |
| =30-X1 | 1 | Aardklem 35mm² | ERPE35 | IMO Precision Controls | IMO.ERPE35 |
| =40-1Q1 | 1 | Thermal Magnetic Motor Circuit Breaker 14-22A Magn. 286A | C4/32R-22 | IMO Precision Controls | IMO.C4/32R-22 |
| =40-1Q1 | 1 | Auxiliary Contact Block 1 NO 1NC Top Mounting For C4/32/63/100 Breakers | C4HQ11 | IMO Precision Controls | IMO.C4HQ11 |
| =40-1Q5 | 1 | Contactoor 3 Pole Open 11kW 22A AC3, 1 Normally Open Auxiliary, 24V DC Coil | MCD22-S-10=24 | IMO Precision Controls | IMO.MCD22-S-10=24 |
| =40-1Q6 | 1 | Contactoor 3 Pole Open 11kW 22A AC3, 1 Normally Open Auxiliary, 24V DC Coil | MCD22-S-10=24 | IMO Precision Controls | IMO.MCD22-S-10=24 |
| =40-1S5 | 1 | Drukknop verlicht rood | B3DLGRED | IMO Precision Controls | IMO.B3DLRED |



Sitotec B.V.
MP750E (110kW)
AS-Built (A)

+BK1 Besturingskast 1
&APB Onderdelenlijst
=

Artikellijst : IMO.C4HQ11 - IMO.B3DLRED

Projectnummer: 2220633
Getekend: JY Datum: 31-1-2022
Wijziging: JY Datum: 21-3-2023
Blad: 1.a

Artikellijst

F01_UDA_V00

| Onderdeelcode | Hoeveelheid | Code | Typenummer | Leverancier | Artikelnummer |
|---------------|-------------|--|---------------|------------------------|-------------------|
| =40-1S5 | 1 | Contact frame | B3S | IMO Precision Controls | IMO.B3S |
| =40-1S5 | 1 | Contact NC | B3T01 | IMO Precision Controls | IMO.B3T01 |
| =40-1S5 | 1 | TTP 45x15 Tekstplaatje | 53000074 | Altec | ALT.53000074 |
| =40-1S5 | 1 | Lamp holder | B3F | IMO Precision Controls | IMO.B3F |
| =40-1S5.1 | 1 | Drukknop verlicht groen | B3DLGREEN | IMO Precision Controls | IMO.B3DLGREEN |
| =40-1S5.1 | 1 | Contact frame | B3S | IMO Precision Controls | IMO.B3S |
| =40-1S5.1 | 1 | Contact NO | B3T10 | IMO Precision Controls | IMO.B3T10 |
| =40-1S5.1 | 1 | TTP 45x15 Tekstplaatje | 53000074 | Altec | ALT.53000074 |
| =40-1S5.1 | 1 | Lamp holder | B3F | IMO Precision Controls | IMO.B3F |
| =40-U1 | 1 | LAPP SKINTOP® ST-M Wartel M25 Polyamide RAL 7035 | 53111430 | LAPP | LAPP.53111430 |
| =40-U2 | 1 | LAPP SKINTOP® ST-M Wartel M20 Polyamide RAL 7035 | 53111420 | LAPP | LAPP.53111420 |
| =40-U3 | 1 | LAPP SKINTOP® ST-M Wartel M20 Polyamide RAL 7035 | 53111420 | LAPP | LAPP.53111420 |
| =40-X1 | 1 | Eindsteun | ES1 | IMO Precision Controls | IMO.ES1 |
| =40-X1 | 1 | Tag-houder | GMBEIGE | IMO Precision Controls | IMO.GMBEIGE |
| =40-X1 | 3 | Spring Clamp Terminal 6mm², 600V, 35A Beige | SC6 | IMO Precision Controls | IMO.SC6 |
| =40-X1 | 1 | Aardklem | SCPE6 | IMO Precision Controls | IMO.SCPE6 |
| =40-X4 | 1 | Eindsteun | ES1 | IMO Precision Controls | IMO.ES1 |
| =40-X4 | 1 | Tag-houder | GMBEIGE | IMO Precision Controls | IMO.GMBEIGE |
| =40-X4 | 2 | Spring Clamp Terminal 2.5mm², 600V, 20A Beige | SC2.5 | IMO Precision Controls | IMO.SC2.5 |
| =50-1Q1 | 1 | Thermal Magnetic Motor Circuit Breaker 2,5-4A Magn. 52A | C4/32R-4 | IMO Precision Controls | IMO.C4/32R-4 |
| =50-1Q1 | 1 | Auxiliary Contact Block 1 NO 1NC Top Mounting For C4/32/63/100 Breakers | C4HQ11 | IMO Precision Controls | IMO.C4HQ11 |
| =50-1Q6 | 1 | Contactoor 3 Pole Open 7.5kW 18A AC3, 1 Normally Open Auxiliary, 24V DC Coil | MCD18-S-10=24 | IMO Precision Controls | IMO.MCD18-S-10=24 |
| =50-1Q6 | 1 | Auxiliary Contact Block 1 Normally Closed Contact, For MC10 to MC115 Contactors, Top Mount | MCA01 | IMO Precision Controls | IMO.MCA01 |
| =50-1S6 | 1 | Drukknop verlicht rood | B3DLGRED | IMO Precision Controls | IMO.B3DLRED |
| =50-1S6 | 1 | Contact frame | B3S | IMO Precision Controls | IMO.B3S |
| =50-1S6 | 1 | Contact NC | B3T01 | IMO Precision Controls | IMO.B3T01 |
| =50-1S6 | 1 | Lamp holder | B3F | IMO Precision Controls | IMO.B3F |
| =50-1S6 | 1 | TTP 45x15 Tekstplaatje | 53000074 | Altec | ALT.53000074 |
| =50-1S6.1 | 1 | Drukknop verlicht groen | B3DLGREEN | IMO Precision Controls | IMO.B3DLGREEN |
| =50-1S6.1 | 1 | Contact frame | B3S | IMO Precision Controls | IMO.B3S |
| =50-1S6.1 | 1 | Contact NO | B3T10 | IMO Precision Controls | IMO.B3T10 |
| =50-1S6.1 | 1 | Lamp holder | B3F | IMO Precision Controls | IMO.B3F |
| =50-1S6.1 | 1 | TTP 45x15 Tekstplaatje | 53000074 | Altec | ALT.53000074 |
| =50-U1 | 1 | LAPP SKINTOP® ST-M Wartel M20 Polyamide RAL 7035 | 53111420 | LAPP | LAPP.53111420 |
| =50-X1 | 1 | Eindsteun | ES1 | IMO Precision Controls | IMO.ES1 |
| =50-X1 | 1 | Tag-houder | GMBEIGE | IMO Precision Controls | IMO.GMBEIGE |
| =50-X1 | 3 | Spring Clamp Terminal 2.5mm², 600V, 20A Beige | SC2.5 | IMO Precision Controls | IMO.SC2.5 |
| =50-X1 | 1 | Aardklem | SCPE4 | IMO Precision Controls | IMO.SCPE4 |
| =60-1K6 | 1 | Contactoor 3 Pole Open 7.5kW 18A AC3, 1 Normally Open Auxiliary, 24V DC Coil | MCD18-S-10=24 | IMO Precision Controls | IMO.MCD18-S-10=24 |
| =60-1K6 | 1 | Auxiliary Contact Block 1 Normally Closed Contact, For MC10 to MC115 Contactors, Top Mount | MCA01 | IMO Precision Controls | IMO.MCA01 |
| =60-1Q1 | 1 | Thermal Magnetic Motor Circuit Breaker 6-10A Magn. 130A | C4/32R-10 | IMO Precision Controls | IMO.C4/32R-10 |
| =60-1Q1 | 1 | Auxiliary Contact Block 1 NO 1NC Top Mounting For C4/32/63/100 Breakers | C4HQ11 | IMO Precision Controls | IMO.C4HQ11 |
| =60-1S6 | 1 | Drukknop verlicht rood | B3DLGRED | IMO Precision Controls | IMO.B3DLRED |
| =60-1S6 | 1 | Contact frame | B3S | IMO Precision Controls | IMO.B3S |
| =60-1S6 | 1 | Contact NC | B3T01 | IMO Precision Controls | IMO.B3T01 |
| =60-1S6 | 1 | Lamp holder | B3F | IMO Precision Controls | IMO.B3F |
| =60-1S6 | 1 | TTP 45x15 Tekstplaatje | 53000074 | Altec | ALT.53000074 |
| =60-1S6.1 | 1 | Drukknop verlicht groen | B3DLGREEN | IMO Precision Controls | IMO.B3DLGREEN |
| =60-1S6.1 | 1 | Contact frame | B3S | IMO Precision Controls | IMO.B3S |
| =60-1S6.1 | 1 | Contact NO | B3T10 | IMO Precision Controls | IMO.B3T10 |
| =60-1S6.1 | 1 | Lamp holder | B3F | IMO Precision Controls | IMO.B3F |
| =60-1S6.1 | 1 | TTP 45x15 Tekstplaatje | 53000074 | Altec | ALT.53000074 |
| =60-U1 | 1 | LAPP SKINTOP® ST-M Wartel M20 Polyamide RAL 7035 | 53111420 | LAPP | LAPP.53111420 |
| =60-X1 | 1 | Eindsteun | ES1 | IMO Precision Controls | IMO.ES1 |
| =60-X1 | 1 | Tag-houder | GMBEIGE | IMO Precision Controls | IMO.GMBEIGE |
| =60-X1 | 3 | Spring Clamp Terminal 2.5mm², 600V, 20A Beige | SC2.5 | IMO Precision Controls | IMO.SC2.5 |

1.a

1.c



Sitotec B.V.
MP750E (110kW)
AS-Built (A)

| | |
|------|------------------|
| +BK1 | Besturingskast 1 |
| &APB | Onderdelenlijst |
| = | |

Artikellijst : IMO.B3S - IMO.SC2.5

| | |
|----------------|---------------------|
| Projectnummer: | 2220633 |
| Getekend: | JY Datum: 31-1-2022 |
| Wijziging: | JY Datum: 21-3-2023 |
| Blad: | 1.b |

Artikellijst

| Onderdeelcode | Hoeveelheid | Code | Typenummer | Leverancier | Artikelnummer |
|---------------|-------------|--|------------------------|------------------------|----------------|
| =60-X1 | 1 | Aardklem | SCPE2.5 | IMO Precision Controls | IMO.SCPE2.5 |
| =800-1H8 | 1 | Signal lamp red 24VAC/24VDC | LMB-24-RED | IMO Precision Controls | IMO.LMB-24-RED |
| =800-1H8 | 1 | TTP 45x15 Tekstplaatje | 53000074 | Altec | ALT.53000074 |
| =800-1H9 | 1 | Signal lamp red 24VAC/24VDC | LMB-24-RED | IMO Precision Controls | IMO.LMB-24-RED |
| =800-1H9 | 1 | TTP 45x15 Tekstplaatje | 53000074 | Altec | ALT.53000074 |
| =800-1K4 | 1 | VEILIGHEIDSMODULE VOOR DE BEWAKING VAN NOODSTOPPEN EN STANDSCHAKELAARS 24 V AC/DC 3M+1ST | XPSACS121 | Schneider Electric | SE.XPSACS121 |
| =800-1K6 | 1 | Safe coupling relay with forced contacts | PSR-SCF- 24UC/URM/2X21 | Phoenix Contact | PXC.2981363 |
| =800-1K7 | 1 | PF Relay Socket + Clip For HME Relay 2 Pole | PFHME-S | IMO Precision Controls | IMO.PFHME-S |
| =800-1K7 | 1 | IMO Subminiature Power Relay 2 pole SPCO,8A, 24VDC | HME21PN | IMO Precision Controls | IMO.HME21PN |
| =800-1S1 | 1 | Emergency stop button 30MM | BS3P44RED | IMO Precision Controls | IMO.BS3P44RED |
| =800-1S1 | 1 | Push Button Yellow Disc Emergency Stop Label | B3-7603-2 | IMO Precision Controls | IMO.B3-7603-2 |
| =800-1S1 | 1 | Contact frame | B3S | IMO Precision Controls | IMO.B3S |
| =800-1S1 | 1 | Contact NC | B3T01 | IMO Precision Controls | IMO.B3T01 |
| =800-1S6 | 1 | Drukknop blauw | B3DBLUE | IMO Precision Controls | IMO.B3DBLUE |
| =800-1S6 | 1 | Contact frame | B3S | IMO Precision Controls | IMO.B3S |
| =800-1S6 | 1 | Contact NO | B3T10 | IMO Precision Controls | IMO.B3T10 |
| =800-1S6 | 1 | TTP 45x15 Tekstplaatje | 53000074 | Altec | ALT.53000074 |
| =800-U1 | 1 | LAPP SKINTOP® ST-M Wartel M16 Polyamide RAL 7035 | 53111410 | LAPP | LAPP.53111410 |
| =800-X10 | 2 | Eindsteun | ES1 | IMO Precision Controls | IMO.ES1 |
| =800-X10 | 1 | Tag-houder | GMBEIGE | IMO Precision Controls | IMO.GMBEIGE |
| =800-X10 | 2 | Spring Clamp Terminal 2.5mm², 600V, 20A Beige | SC2.5 | IMO Precision Controls | IMO.SC2.5 |

1.b

&EMB1/1



Sitetec B.V.
MP750E (110kW)
AS-Built (A)

| | |
|------|------------------|
| +BK1 | Besturingskast 1 |
| &APB | Onderdelenlijst |
| = | |

Artikellijst : IMO.SCPE2.5 - IMO.SC2.5

| | |
|----------------|---------------------|
| Projectnummer: | 2220633 |
| Getekend: | JY Datum: 31-1-2022 |
| Wijziging: | JY Datum: 21-3-2023 |
| Blad: | 1.c |

Kabeloverzicht

| Kabelnaam | Bron (van) | Doel (tot) | Kabeltype | alle aders | Gebruikte aders | Dwarsdoorsnede [mm] | Lengte [m] | Functietekst | Grafische pagina van de kabelaanluitijst |
|-----------|------------|--------------|-----------|------------|-----------------|---------------------|------------|------------------------------|--|
| =20-1W2 | =20-X4 | =20+Veld-1T0 | | 18G | 12 | 0,75 | | Hogedrukpomp 400V 110kW 187A | |
| =20-4W0 | =20-X4.1 | =20+BK2-4X1 | | 18G | 13 | 0,75 | | | |
| | | | | | | | | | |
| | | | | | | | | | |
| | | | | | | | | | |
| | | | | | | | | | |
| | | | | | | | | | |
| | | | | | | | | | |
| | | | | | | | | | |
| | | | | | | | | | |
| | | | | | | | | | |
| | | | | | | | | | |
| | | | | | | | | | |
| | | | | | | | | | |
| | | | | | | | | | |
| | | | | | | | | | |
| | | | | | | | | | |
| | | | | | | | | | |
| | | | | | | | | | |
| | | | | | | | | | |
| | | | | | | | | | |
| | | | | | | | | | |
| | | | | | | | | | |
| | | | | | | | | | |
| | | | | | | | | | |
| | | | | | | | | | |
| | | | | | | | | | |
| | | | | | | | | | |
| | | | | | | | | | |
| | | | | | | | | | |
| | | | | | | | | | |
| | | | | | | | | | |
| | | | | | | | | | |
| | | | | | | | | | |
| | | | | | | | | | |
| | | | | | | | | | |
| | | | | | | | | | |
| | | | | | | | | | |
| | | | | | | | | | |
| | | | | | | | | | |
| | | | | | | | | | |
| | | | | | | | | | |

Klemmenaansluitlijst

| Functietekst | | | | | | | +Veld-1100 | Kabelnaam | Stroom = +BK1 #-X0 Inkomende voeding | | | | | | Kabelnaam | | | | Pagina / kolom |
|--------------|--|--|--|--|--|--|------------|-----------|--|-------------|------|------|----------|-------------|-----------|--|----|--|----------------|
| | | | | | | | | | Doelcode | Aansluiting | Klem | Brug | Doelcode | Aansluiting | | | | | |
| | | | | | | | | | PE | | | | | | | | PE | | EF51/1.1 |
| | | | | | | | | | | | | | | | | | | | |
| | | | | | | | | | | | | | | | | | | | |
| | | | | | | | | | | | | | | | | | | | |
| | | | | | | | | | | | | | | | | | | | |
| | | | | | | | | | | | | | | | | | | | |
| | | | | | | | | | | | | | | | | | | | |
| | | | | | | | | | | | | | | | | | | | |
| | | | | | | | | | | | | | | | | | | | |
| | | | | | | | | | | | | | | | | | | | |
| | | | | | | | | | | | | | | | | | | | |
| | | | | | | | | | | | | | | | | | | | |
| | | | | | | | | | | | | | | | | | | | |
| | | | | | | | | | | | | | | | | | | | |
| | | | | | | | | | | | | | | | | | | | |
| | | | | | | | | | | | | | | | | | | | |
| | | | | | | | | | | | | | | | | | | | |
| | | | | | | | | | | | | | | | | | | | |
| | | | | | | | | | | | | | | | | | | | |
| | | | | | | | | | | | | | | | | | | | |
| | | | | | | | | | | | | | | | | | | | |
| | | | | | | | | | | | | | | | | | | | |

Klemmenaansluitlijst

| Functietekst | Stroom =+BK1 #-X100 24VDC verdeling | | | | | | Stroom | | | | | |
|-------------------|---|----------|-------------|------|------|----------|-------------|-----------|-----------|----------------|--|--|
| | Kabelnaam | Doelcode | Aansluiting | Klem | Brug | Doelcode | Aansluiting | Kabelnaam | Kabeltype | Pagina / kolom | | |
| Powersupply 24VDC | =20-X4 | 1:1 | 1 | | -3T3 | + | | | | EF51/3.3 | | |
| = | =40-1Q6 | 1/L1 | 2 | | -3T3 | + | | | | EF51/3.3 | | |
| | | | | | | | | | | | | |
| | | | | | | | | | | | | |
| | | | | | | | | | | | | |
| | | | | | | | | | | | | |
| | | | | | | | | | | | | |
| | | | | | | | | | | | | |
| | | | | | | | | | | | | |
| | | | | | | | | | | | | |
| | | | | | | | | | | | | |
| | | | | | | | | | | | | |
| | | | | | | | | | | | | |
| | | | | | | | | | | | | |
| | | | | | | | | | | | | |
| | | | | | | | | | | | | |
| | | | | | | | | | | | | |
| | | | | | | | | | | | | |
| | | | | | | | | | | | | |
| | | | | | | | | | | | | |
| | | | | | | | | | | | | |
| | | | | | | | | | | | | |
| | | | | | | | | | | | | |



Klemmenaansluitlijst

| Functietekst | | | | | | | | Kabelnaam | Strook = 10+BK1#-X1 Verlichting | | | | | | Kabelnaam | | | | | | Pagina / kolom |
|--------------|--|--|--|--|--|--|--|-----------|---------------------------------------|-------------|------|------|----------|-------------|-----------|--|--|--|----------|--|----------------|
| | | | | | | | | | Doelcode | Aansluiting | Klem | Brug | Doelcode | Aansluiting | | | | | | | |
| | | | | | | | | | | | | | | | | | | | EFS1/1.1 | | |
| | | | | | | | | | | | | | | | | | | | EFS1/1.1 | | |
| | | | | | | | | | | | | | | | | | | | EFS1/1.1 | | |
| | | | | | | | | | | | | | | | | | | | EFS1/1.1 | | |
| | | | | | | | | | | | | | | | | | | | EFS1/1.2 | | |
| | | | | | | | | | | | | | | | | | | | | | |
| | | | | | | | | | | | | | | | | | | | | | |
| | | | | | | | | | | | | | | | | | | | | | |
| | | | | | | | | | | | | | | | | | | | | | |
| | | | | | | | | | | | | | | | | | | | | | |
| | | | | | | | | | | | | | | | | | | | | | |
| | | | | | | | | | | | | | | | | | | | | | |
| | | | | | | | | | | | | | | | | | | | | | |
| | | | | | | | | | | | | | | | | | | | | | |
| | | | | | | | | | | | | | | | | | | | | | |
| | | | | | | | | | | | | | | | | | | | | | |
| | | | | | | | | | | | | | | | | | | | | | |
| | | | | | | | | | | | | | | | | | | | | | |
| | | | | | | | | | | | | | | | | | | | | | |
| | | | | | | | | | | | | | | | | | | | | | |
| | | | | | | | | | | | | | | | | | | | | | |
| | | | | | | | | | | | | | | | | | | | | | |
| | | | | | | | | | | | | | | | | | | | | | |

Klemmenaansluitlijst

| Functietekst | +Veld-2M1 | Kabelnaam | Kabeltype | Strook =20+BK1#-X1 Ventilator | | | | | Kabelnaam | Kabeltype | Pagina / kolom |
|---|-----------|-----------|-----------|-------------------------------------|-------------|------|------|----------|-----------|-----------|----------------|
| | | | | Doelcode | Aansluiting | Klem | Brug | Doelcode | | | |
| Ventilatie hogedrukpomp 400V 0.35kW 0,75A | 1 | | | +Veld-2M1 | U1 | 1 | • | -2K8 | 2/T1 | EFS1/2.1 | |
| = | 2 | | | +Veld-2M1 | V1 | 2 | • | -2K8 | 4/T2 | EFS1/2.1 | |
| = | 3 | | | +Veld-2M1 | W1 | 3 | • | -2K8 | 6/T3 | EFS1/2.1 | |
| = | PE | | | +Veld-2M1 | PE | PE | • | PE | | EFS1/2.1 | |

Klemmenaansluitlijst

| Functietekst | Kabelnaam | Kabeltype | Strook =20+BK1#-X4 Stuursignalen | | | | Kabelnaam | Kabeltype | Pagina / kolom |
|------------------------------|-----------|-----------|--|-------------|------|------|-----------|-----------|----------------|
| | | | Doelcode | Aansluiting | Klem | Brug | | | |
| Hogedrukpomp 400V 110kW 187A | | | +Veld-1T0 | R01C | 1 | • | -X100 | 1:2 | EFS1/1.2 |
| | | | | | | | =800-1K7 | 21 | |
| Hogedrukpomp 400V 110kW 187A | | | +Veld-1T0 | R01A | 2 | • | -X4.1 | 9:1 | EFS1/1.3 |
| = | | | +Veld-1T0 | R02A | 3 | • | -2K8 | A1 | EFS1/1.4 |
| = | | | +Veld-1T0 | COM | 4 | • | -3T3 | - | EFS1/1.4 |
| | | | | | | | -2K8 | A2 | |
| Hogedrukpomp 400V 110kW 187A | | | +Veld-1T0 | S1 | 5 | • | -X4.1 | 6:3 | EFS1/1.5 |
| = | | | +Veld-1T0 | S2 | 6 | • | -X4.1 | 8:3 | EFS1/1.5 |
| = | | | +Veld-1T0 | S3 | 7 | • | -X4.1 | 2:3 | EFS1/1.5 |
| = | | | +Veld-1T0 | S4 | 8 | • | -X4.1 | 5:1 | EFS1/1.5 |
| = | | | +Veld-1T0 | HDIA | 9 | • | =800-1K7 | 22 | EFS1/1.6 |
| | | | | | | | -X4.1 | 11:1 | |
| Hogedrukpomp 400V 110kW 187A | | | +Veld-1T0 | +24V | 10 | • | =800-1K6 | 11 | EFS1/1.7 |
| = | | | +Veld-1T0 | H1 | 11 | • | =800-1K6 | 14 | EFS1/1.7 |
| = | | | +Veld-1T0 | H2 | 12 | • | =800-1K6 | 24 | EFS1/1.8 |
| Toerensensor | | | +Veld-3B1 | BN | 13 | • | =800-1K7 | 21 | EFS1/3.1 |
| | | | | | | | -3A2 | 9 | |
| Toerensensor | | | +Veld-3B1 | BU | 14 | • | -3A2 | 6 | EFS1/3.1 |
| = | | | +Veld-3B1 | BK | 15 | • | -3A2 | 5 | EFS1/3.1 |



Sitetec B.V.
MP750E (110kW)
AS-Built (A)

| | |
|-------|----------------------|
| +BK1 | Besturingskast 1 |
| &EMA2 | Klemmenaansluitlijst |
| = | |

Klemmenaansluitlijst =20+BK1#-X4

| | |
|----------------|---------------------|
| Projectnummer: | 2220633 |
| Getekend: | JY Datum: 31-1-2022 |
| Wijziging: | Datum: 21-3-2023 |
| Blad: | 5 |

Klemmenaansluitlijst

| Functietekst | | | | | | | -4W0 | Kabelnaam | Stroom =20+BK1#-X4.1 Externe bediening | | | | | Kabelnaam | | | | | Pagina / kolom |
|--------------|--|--|--|--|--|--|------|-----------|--|----------|-------------|----------|------|-----------|--|--|--|----------|----------------|
| | | | | | | | | | Kabeltype | Doelcode | Aansluiting | Klem | Brug | | | | | | |
| | | | | | | | | | | | | | | | | | | | |
| | | | | | | | 1 | +BK2-4XJ1 | 1 | 1 | . | -3P4 | 31 | | | | | EFS1/4.1 | |
| | | | | | | | | | | | | =30-1F1 | 21 | | | | | | |
| | | | | | | | 2 | +BK2-4XJ1 | 2 | 2 | . | -X4 | 7:1 | | | | | EFS1/4.1 | |
| | | | | | | | 3 | +BK2-4XJ1 | 3 | 3 | . | =21-1F1 | 11 | | | | | EFS1/4.1 | |
| | | | | | | | 4 | +BK2-4XJ1 | 4 | 4 | . | -3P4 | 32 | | | | | EFS1/4.1 | |
| | | | | | | | | | | | | =21-1Q6 | A2 | | | | | | |
| | | | | | | | 5 | +BK2-4XJ1 | 5 | 5 | . | -X4 | 8:3 | | | | | EFS1/4.2 | |
| | | | | | | | 6 | +BK2-4XJ1 | 6 | 6 | . | -X4 | 5:1 | | | | | EFS1/4.3 | |
| | | | | | | | 7 | +BK2-4XJ1 | 7 | 7 | . | -2K8 | A1 | | | | | EFS1/4.5 | |
| | | | | | | | 8 | +BK2-4XJ1 | 8 | 8 | . | -X4 | 6:3 | | | | | EFS1/4.6 | |
| | | | | | | | 9 | +BK2-4XJ1 | 9 | 9 | . | -X4 | 2:3 | | | | | EFS1/4.8 | |
| | | | | | | | 10 | +BK2-4XJ1 | 10 | 10 | . | =800-1S1 | 11 | | | | | EFS1/5.1 | |
| | | | | | | | 11 | +BK2-4XJ1 | 11 | 11 | . | -X4 | 9:1 | | | | | EFS1/5.2 | |
| | | | | | | | 12 | +BK2-4XJ1 | 12 | 12 | . | -3P4 | 41 | | | | | EFS1/5.4 | |
| | | | | | | | PE | +BK2-4XJ1 | PE | PE | . | PE | | | | | | EFS1/5.8 | |

5

7



Sitetec B.V.
MP750E (110kW)
AS-Built (A)

| | |
|-------|----------------------|
| +BK1 | Besturingskast 1 |
| &EMAZ | Klemmenaansluitlijst |
| = | |

Klemmenaansluitlijst =20+BK1#-X4.1

| | |
|----------------|---------------------|
| Projectnummer: | 2220633 |
| Getekend: | JY Datum: 31-1-2022 |
| Wijziging: | Datum: 21-3-2023 |
| Blad: | 6 |

Klemmenaansluitlijst

| Functietekst | Kabelnaam | Kabeltype | Strook =21+BK1#-X1 Linewash | | | | | Doelcode | Aansluiting | Kabelnaam | Kabeltype | Pagina / kolom |
|---|-----------|-----------|-----------------------------------|-------------|------|------|----------|----------|-------------|-----------|-----------|----------------|
| | | | Doelcode | Aansluiting | Klem | Brug | Doelcode | | | | | |
| Linewashpomp 230VAC voedingsgroep = = | | | +Veld-1M1 | 1 | 1 | . | -1Q6 | 2/T1 | | | | EFS1/1.1 |
| | | | +Veld-1M1 | 2 | 2 | . | -1Q6 | 4/T2 | | | | EFS1/1.1 |
| | | | +Veld-1M1 | PE | PE | . | PE | | | | | EFS1/1.2 |
| | | | | | | | | | | | | |
| | | | | | | | | | | | | |
| | | | | | | | | | | | | |
| | | | | | | | | | | | | |
| | | | | | | | | | | | | |
| | | | | | | | | | | | | |
| | | | | | | | | | | | | |
| | | | | | | | | | | | | |
| | | | | | | | | | | | | |
| | | | | | | | | | | | | |
| | | | | | | | | | | | | |
| | | | | | | | | | | | | |
| | | | | | | | | | | | | |
| | | | | | | | | | | | | |
| | | | | | | | | | | | | |
| | | | | | | | | | | | | |
| | | | | | | | | | | | | |
| | | | | | | | | | | | | |
| | | | | | | | | | | | | |
| | | | | | | | | | | | | |
| | | | | | | | | | | | | |
| | | | | | | | | | | | | |
| | | | | | | | | | | | | |
| | | | | | | | | | | | | |
| | | | | | | | | | | | | |
| | | | | | | | | | | | | |
| | | | | | | | | | | | | |
| | | | | | | | | | | | | |
| | | | | | | | | | | | | |
| | | | | | | | | | | | | |



Sitetec B.V.
MP750E (110kW)
AS-Built (A)

| | |
|-------|----------------------|
| +BK1 | Besturingskast 1 |
| &EMAZ | Klemmenaansluitlijst |
| = | |

Klemmenaansluitlijst =21+BK1#-X1

| | |
|----------------|---------------------|
| Projectnummer: | 2220633 |
| Getekend: | JY Datum: 31-1-2022 |
| Wijziging: | Datum: 21-3-2023 |
| Blad: | 7 |

Klemmenaansluitlijst

| Functietekst | | | | | | | +Veld-1W1 | Kabelnaam | Strook =30+BK1#-X1 Mixpomp | | | | | Kabelnaam | | | | | Pagina / kolom |
|------------------|--|--|--|--|--|--|-----------|-----------|----------------------------------|-------------|------|------|----------|-------------|--|--|--|----------|----------------|
| | | | | | | | | Kabeltype | Doelcode | Aansluiting | Klem | Brug | Doelcode | Aansluiting | | | | | |
| Mixpomp 37kW 65A | | | | | | | GNYE | +Veld-1M1 | PE | PE | , | PE | | | | | | EFS1/1.1 | |
| | | | | | | | | | | | | | | | | | | | |
| | | | | | | | | | | | | | | | | | | | |
| | | | | | | | | | | | | | | | | | | | |
| | | | | | | | | | | | | | | | | | | | |
| | | | | | | | | | | | | | | | | | | | |
| | | | | | | | | | | | | | | | | | | | |
| | | | | | | | | | | | | | | | | | | | |
| | | | | | | | | | | | | | | | | | | | |
| | | | | | | | | | | | | | | | | | | | |
| | | | | | | | | | | | | | | | | | | | |
| | | | | | | | | | | | | | | | | | | | |
| | | | | | | | | | | | | | | | | | | | |
| | | | | | | | | | | | | | | | | | | | |
| | | | | | | | | | | | | | | | | | | | |
| | | | | | | | | | | | | | | | | | | | |
| | | | | | | | | | | | | | | | | | | | |
| | | | | | | | | | | | | | | | | | | | |
| | | | | | | | | | | | | | | | | | | | |
| | | | | | | | | | | | | | | | | | | | |



Klemmenaansluitlijst

| Functietekst | +Veld-1W1 | Kabelnaam | | Stroom =40+BK1#-X1 Powerpack | | | Kabelnaam | | Pagina / kolom |
|-----------------------|-----------|-----------|----------|------------------------------------|------|------|-----------|-------------|----------------|
| | | Kabeltype | Doelcode | Aansluiting | Klem | Brug | Doelcode | Aansluiting | |
| Powerpack 9.2KW 17,8A | 1 | +Veld-1M1 | U1 | 1 | | -1Q5 | 2/T1 | | EFS1/1.1 |
| = | 2 | +Veld-1M1 | V1 | 2 | | -1Q5 | 4/T2 | | EFS1/1.1 |
| = | 3 | +Veld-1M1 | W1 | 3 | | -1Q5 | 6/T3 | | EFS1/1.1 |
| = | GNYE | +Veld-1M1 | PE | PE | | PE | | | EFS1/1.1 |

Klemmenaansluitlijst

| Functietekst | Kabelnaam | Kabelnaam | Stroom =40+BK1#-X4 24VDC kraan | | | | Kabelnaam | Kabeltype | Kabeltype | Pagina / kolom |
|---------------------|-----------|-----------|--------------------------------------|-------------|------|------|-----------|-----------|-----------|----------------|
| | | | Doelcode | Aansluiting | Klem | Brug | | | | |
| Kraanbesturingskast | +Veld-2A1 | | +Veld-2A1 | + | 1 | | -1Q6 | 2/T1 | EFS1/2.1 | |
| = | +Veld-2A1 | | +Veld-2A1 | - | 2 | | -1Q6 | 6/T3 | EFS1/2.1 | |
| | | | | | | | | | | |
| | | | | | | | | | | |
| | | | | | | | | | | |
| | | | | | | | | | | |
| | | | | | | | | | | |
| | | | | | | | | | | |
| | | | | | | | | | | |
| | | | | | | | | | | |
| | | | | | | | | | | |
| | | | | | | | | | | |
| | | | | | | | | | | |
| | | | | | | | | | | |
| | | | | | | | | | | |
| | | | | | | | | | | |
| | | | | | | | | | | |
| | | | | | | | | | | |
| | | | | | | | | | | |
| | | | | | | | | | | |
| | | | | | | | | | | |
| | | | | | | | | | | |
| | | | | | | | | | | |



Klemmenaansluitlijst

| Functietekst | | | | | | | | +Veld-1W1 | Kabelnaam | Strook =50+BK1#-X1 Dompelmixer | | | | | Kabelnaam | | | | | Pagina / kolom |
|--------------|--|--|--|--|--|--|--|-----------|-----------|--------------------------------------|-------------|------|------|----------|-------------|--|--|--|----------|----------------|
| | | | | | | | | | Kabeltype | Doelcode | Aansluiting | Klem | Brug | Doelcode | Aansluiting | | | | | |
| Dompelmixer | | | | | | | | | | | | | | | | | | | EFS1/1.1 | |
| = | | | | | | | | | | | | | | | | | | | EFS1/1.1 | |
| = | | | | | | | | | | | | | | | | | | | EFS1/1.1 | |
| = | | | | | | | | | | | | | | | | | | | EFS1/1.1 | |
| | | | | | | | | | | | | | | | | | | | | |
| | | | | | | | | | | | | | | | | | | | | |
| | | | | | | | | | | | | | | | | | | | | |
| | | | | | | | | | | | | | | | | | | | | |
| | | | | | | | | | | | | | | | | | | | | |
| | | | | | | | | | | | | | | | | | | | | |
| | | | | | | | | | | | | | | | | | | | | |
| | | | | | | | | | | | | | | | | | | | | |
| | | | | | | | | | | | | | | | | | | | | |
| | | | | | | | | | | | | | | | | | | | | |
| | | | | | | | | | | | | | | | | | | | | |
| | | | | | | | | | | | | | | | | | | | | |
| | | | | | | | | | | | | | | | | | | | | |
| | | | | | | | | | | | | | | | | | | | | |
| | | | | | | | | | | | | | | | | | | | | |

Klemmenaansluitlijst

| Functietekst | Kabelnaam | | | | | | Stroom = 60+BK1#-X1 Hogedrukspuit | | | | | | Kabelnaam | | | | | |
|---------------|-----------|-----------|-----------|-----------|-------------|------|-----------------------------------|----------|-------------|-----------|-----------|----------|-------------|------|------|----------|-------------|----------------|
| | +Veld-1M1 | Kabelnaam | Kabeltype | Doelcode | Aansluiting | Klem | Brug | Doelcode | Aansluiting | Kabelnaam | Kabeltype | Doelcode | Aansluiting | Klem | Brug | Doelcode | Aansluiting | Pagina / kolom |
| Hogedrukspuit | | | | | | | | | | | | | | | | | | |
| = | | | 2 | +Veld-1M1 | V1 | 2 | . | -1K6 | 4/T2 | | | | | | | | | EFS1/1.1 |
| = | | | 3 | +Veld-1M1 | W1 | 3 | . | -1K6 | 6/T3 | | | | | | | | | EFS1/1.1 |
| = | | | PE | +Veld-1M1 | PE | PE | . | PE | | | | | | | | | | EFS1/1.1 |
| | | | | | | | | | | | | | | | | | | |
| | | | | | | | | | | | | | | | | | | |
| | | | | | | | | | | | | | | | | | | |
| | | | | | | | | | | | | | | | | | | |
| | | | | | | | | | | | | | | | | | | |
| | | | | | | | | | | | | | | | | | | |
| | | | | | | | | | | | | | | | | | | |
| | | | | | | | | | | | | | | | | | | |
| | | | | | | | | | | | | | | | | | | |
| | | | | | | | | | | | | | | | | | | |
| | | | | | | | | | | | | | | | | | | |
| | | | | | | | | | | | | | | | | | | |
| | | | | | | | | | | | | | | | | | | |
| | | | | | | | | | | | | | | | | | | |
| | | | | | | | | | | | | | | | | | | |
| | | | | | | | | | | | | | | | | | | |



Klemmenaansluitlijst

| Functietekst | +Veld-TWI | Kabelnaam | Kabeltype | Strook =800+BK1#-X10 Noodstop | | | | Kabelnaam | Kabeltype | Pagina / kolom |
|-----------------------------|-----------|-----------|-----------|-------------------------------------|-------------|------|------|-----------|-----------|----------------|
| | | | | Doelcode | Aansluiting | Klem | Brug | | | |
| Emergencystop Controlpanels | 1 | | | +Veld-1S1 | 11 | 1 | , | -1S1 | 12 | EFS1/1.1 |
| = | 2 | | | +Veld-1S1 | 12 | 2 | . | -1K4 | A1 | EFS1/1.1 |
| | | | | | | | | | | |
| | | | | | | | | | | |
| | | | | | | | | | | |
| | | | | | | | | | | |
| | | | | | | | | | | |
| | | | | | | | | | | |
| | | | | | | | | | | |
| | | | | | | | | | | |
| | | | | | | | | | | |
| | | | | | | | | | | |
| | | | | | | | | | | |
| | | | | | | | | | | |
| | | | | | | | | | | |
| | | | | | | | | | | |
| | | | | | | | | | | |
| | | | | | | | | | | |
| | | | | | | | | | | |
| | | | | | | | | | | |
| | | | | | | | | | | |
| | | | | | | | | | | |
| | | | | | | | | | | |
| | | | | | | | | | | |
| | | | | | | | | | | |
| | | | | | | | | | | |
| | | | | | | | | | | |
| | | | | | | | | | | |
| | | | | | | | | | | |
| | | | | | | | | | | |
| | | | | | | | | | | |
| | | | | | | | | | | |
| | | | | | | | | | | |
| | | | | | | | | | | |
| | | | | | | | | | | |



UNIDRIVE AUTOMATION

Unidrive Automation B.V.
Oliemolenweg 3B
7944 HX Meppel
The Nederlands
Tel: +31 (0)522 245713
E-mail: info@unidrive-automation.nl

| | |
|---------------------|----------------|
| Bedrijf / klant | Sitetec B.V. |
| Projectbeschrijving | MP750E (110kW) |
| Projectnummer | 2220633 |
| Opdrachtgever | Sitetec B.V. |

| | |
|---------------------|--------------------------|
| Fabrikant (bedrijf) | Unidrive Automation B.V. |
| Projectnaam | 2220633 - MP750E (110kW) |
| Fabriek | Rittal |
| Type | AE1002.600 |
| Installatieplaats | |
| Schakelkast naam | BK2 |

| | | | |
|----------------|--------------|---------------|-----------|
| Gemaakt op | 31-1-2022 | Getekend door | JY |
| Project status | AS-Built (A) | Bewerkt op | 21-3-2023 |

Toegepaste draadkleuren

| U > 50VAC | |
|-----------|------------|
| L1 | Zwart |
| L2 | Zwart |
| L3 | Zwart |
| N*1 | Blauw |
| Aarde | Geel/groen |

| U < 50VDC | |
|--------------|------------------|
| Plus | Donkerblauw |
| Schakeldraad | Donkerblauw |
| Min | Darkblue / white |
| Aarde | Geel/groen |

| Analoge signalen | |
|------------------|------------|
| Plus | Grijs |
| Min | Grijs |
| Aarde | Geel/groen |

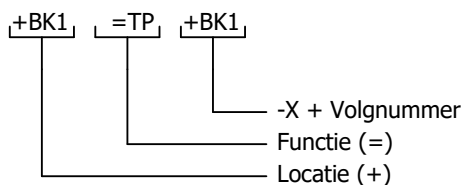
| U < 50VAC | |
|-----------|------------|
| Plus | Grijs |
| Min | Grijs |
| Aarde | Geel/groen |

| Veiligheidscircuits | |
|---------------------|------|
| Alle | Geel |

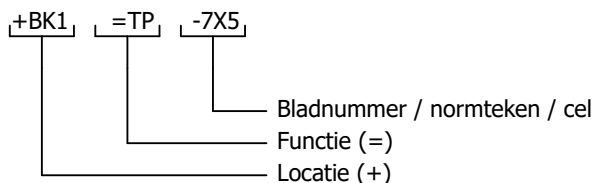
| Vreemde spanningen | |
|--------------------|-----------------|
| Alle*2 | Oranje of zwart |

1* = Als AC-spanning niet vanaf een transformator in de schakelkast zelf komen is de bijhorende nul lichtblauw.
2* = afhankelijk van de situatie.

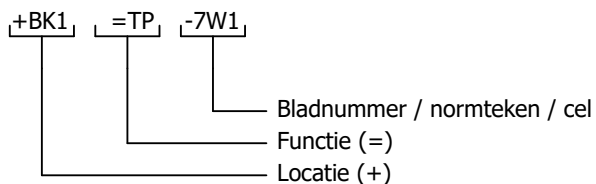
KLEMMENSTROOK NUMMERING



Component codering



Kabel nummering



Normale Kabel

Afgeschermdde kabel



Structuur

| | |
|---|--------------|
| + | Lokatie |
| & | Documenttype |
| = | Functie |

Componentencodering (intern)

- A Samenstellingen, kasten (Kast, Printplaat, PLC, versterker, laser)
- T Omvormers, van niet-elektrisch naar elektrisch of omgekeerd (Pt100, naderindsschakelaar, fotoelektrische cel)
- C Condensatoren
- E Verscheidene (Verwarmings toestel, verlichting toestel, toestellen elders niet vermeld)
- F Beveiligingstoestellen (Zekering, automaat, overspanningsafleider)
- G Generator
- P Signalisatie (signaallamp, zoemer)
- K Relais & contactoren
- R Spoelen, reactoren
- M Motoren
- p Meettoestel, test toestel (Aanduider, schrijver, integrerend meettoestel, signaal generator, klok)
- Q Schakeltoestel voor vermogenkringen (motorbeveiliging, aanzetter, onderbreker)
- R Weerstand (Potentiometer, instelbare weerstand, rheostaat, shunt weerstand, thermistor)
- S Schakelaar voor stuurkringen, selector (drukknop, nokschakelaar, eindschakelaar, keuzecontact)
- T Transformator (Spanningstransfo, stroomtransfo)
- T Modulator, omvormer (frequentieomvormer, DC voeding, coder-decoder, wisselrichter, signaalomvormer)

- W Kabel
- X Klemmen, stopcontacten, stekkers
- Y Elektrisch bediend mechanisch toestel (Rem, koppeling, pneumatische klep)

**STROOMBELASTBAARHEID
VAN GEISOLEERDE LEIDINGEN**

IN ACCORDANCE WITH
NEN-EN-IEC 61439-1 : 2011 TABLE 11

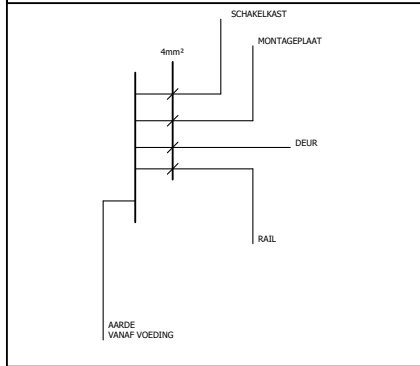
| Norm- doorsnee mm ² | Beveiligings- orgaan Cu Ampère |
|--------------------------------------|--------------------------------------|
| 1 | 8 |
| 1,5 | 12 |
| 2,5 | 20 |
| 4 | 25 |
| 6 | 32 |
| 10 | 50 |
| 16 | 65 |
| 25 | 85 |
| 35 | 115 |
| 50 | 150 |
| 70 | 175 |
| 95 | 225 |
| 120 | 250 |
| 150 | 275 |
| 185 | 350 |
| 240 | 400 |

Enclosure earthing

Opmerking:

ALLE DELEN WAAR 230V COMPONENTEN
GEMONTEERD WORDEN MOETEN GEAARD WORDEN
MET MINIMAAL 4mm²

AARDEDRADEN MOGEN NIET DOORGELUST WORDEN.
ALLE AARDPUNTEN NAAR EEN CENTRAAL AARDPUNT



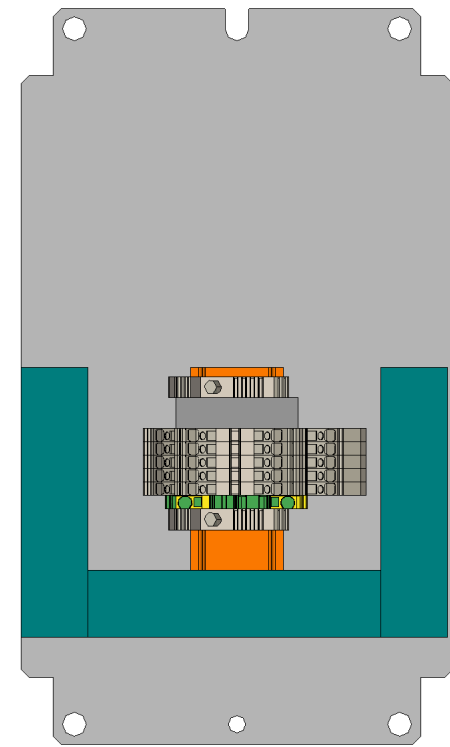
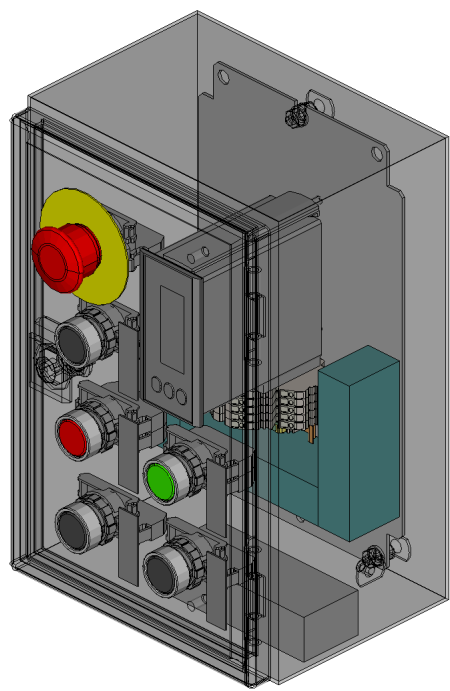


Oliemolenweg 3B
7944 HX Meppel
+31 (0)522 245713
info@unidrive-automation.nl

Voeding - Power supply

| | | | |
|------------------------------------|---------|--|-------|
| Bestel nummer PO number | 2220633 | Netspanning/frequentie Nom. voltage/frequency | 24VDC |
| Bouwjaar/week Prod. year/week | 2022/45 | Fases Phases | +/- |
| Schema nr. Drawing number | 2220633 | Stroom Current | |
| Ip waarde: Degree of protection | IP65 | Hoofd zekering Main fuse | |
| | | Kortsluitstroom Short-breaking capacity | |

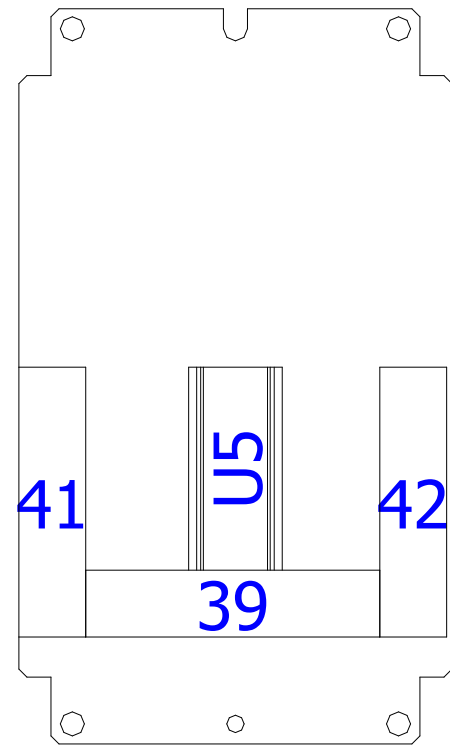
www.unidrive-automation.nl



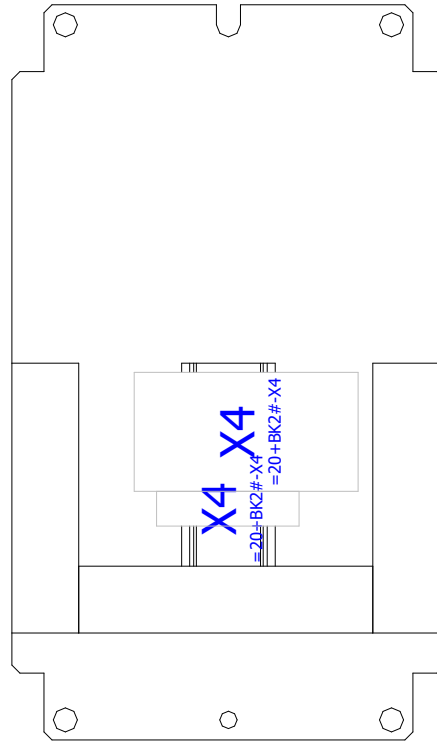
AE Kast 200x300x155 1D 1MPL RVS 1.4301
 AE Wandkast, roestvaststaal 1.4301 (AISI 304), met 1 deur, 200x300x155 mm BxHxD, met montageplaat, rondom gesloten

Kniplijst

| ODC | Artikel | Lengte |
|-----|---|--------|
| U5 | Din- en montagerail H7,5 geperfor.6,3mm sendzimir verzinkt | 76 mm |
| U4 | LIC 25 x 40 | 110 mm |
| U2 | LIC 25 x 40 | 101 mm |
| U3 | LIC 25 x 40 | 101 mm |



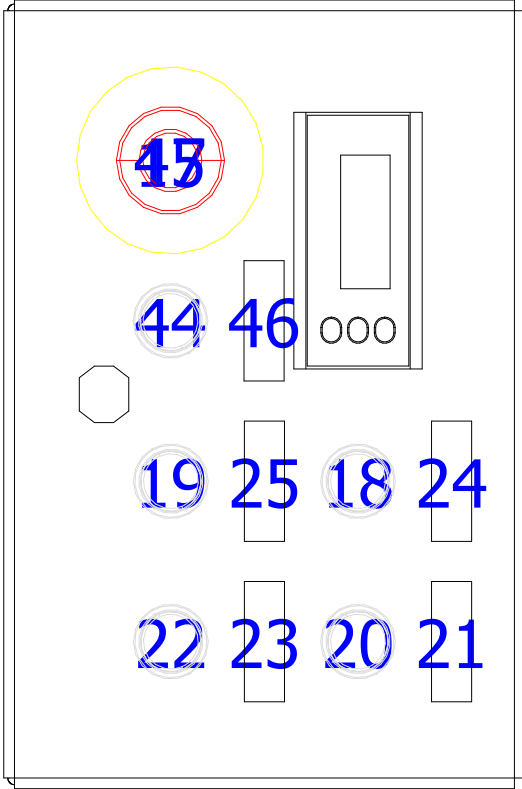
S2:Montageplaat



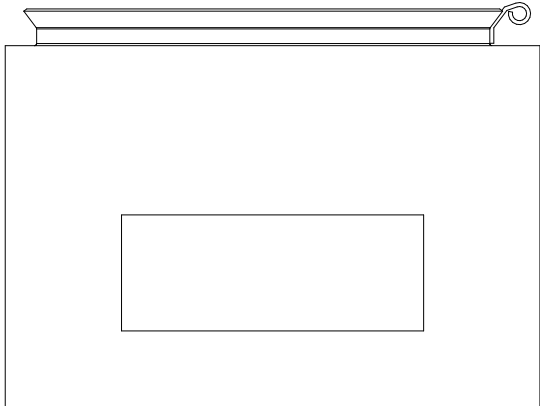
S2:Montageplaat

Graveerplaatjes

| Legendapositie | ODC | Artikel | Tekst |
|----------------|---------------|------------------------|--------------------------|
| 21 | =20+BK2 #-4S1 | TTP 45x15 Tekstplaatje | Pomp harder |
| 23 | =20+BK2 #-4S2 | TTP 45x15 Tekstplaatje | Pomp zachter |
| 24 | =20+BK2 #-4S3 | TTP 45x15 Tekstplaatje | Pomp Start |
| 25 | =20+BK2 #-4S6 | TTP 45x15 Tekstplaatje | Pomp Stop |
| 46 | =20+BK2 #-5S2 | TTP 45x15 Tekstplaatje | Reset Frequentieregelaar |



S2:Deur



S2:Bodem buiten

Artikellijst

| Onderdeelcode | Hoeveelheid | Code | Typenummer | Leverancier | Artikelnummer |
|---------------|-------------|---|---------------|------------------------|-------------------|
| -U1 | 1 | AE Kast 200x300x155 1D 1MPL RVS 1.4301 | AE.1002600 | Rittal | RIT.1002600 |
| -U2 | 1 | LIC 25 x 40 | 25 x 40 | Licatec | LIC.7309-1 |
| -U3 | 1 | LIC 25 x 40 | 25 x 40 | Licatec | LIC.7309-1 |
| -U4 | 1 | LIC 25 x 40 | 25 x 40 | Licatec | LIC.7309-1 |
| -U5 | 1 | Din- en montage rail H7,5 geperfor.6,3mm sendzimir verzinkt | 34-TS35/FSZ-1 | Calpe | CAL.34-TS35/FSZ-1 |
| =20-5P3 | 1 | Programmable LED indicator | 5714A | PR electronics | PR.5714A |
| =20-4S1 | 1 | Push Button Spring Return Black, Aluminium Bezel | B3DBLACK | IMO Precision Controls | IMO.B3DBLACK |
| =20-4S1 | 1 | Contact frame | B3S | IMO Precision Controls | IMO.B3S |
| =20-4S1 | 1 | Contact NO | B3T10 | IMO Precision Controls | IMO.B3T10 |
| =20-4S1 | 1 | TTP 45x15 Tekstplaatje | 53000074 | Altec | ALT.53000074 |
| =20-4S2 | 1 | Push Button Spring Return Black, Aluminium Bezel | B3DBLACK | IMO Precision Controls | IMO.B3DBLACK |
| =20-4S2 | 1 | Contact frame | B3S | IMO Precision Controls | IMO.B3S |
| =20-4S2 | 1 | Contact NO | B3T10 | IMO Precision Controls | IMO.B3T10 |
| =20-4S2 | 1 | TTP 45x15 Tekstplaatje | 53000074 | Altec | ALT.53000074 |
| =20-4S3 | 1 | Drukknop verlicht groen | B3DLGREEN | IMO Precision Controls | IMO.B3DLGREEN |
| =20-4S3 | 1 | Contact frame | B3S | IMO Precision Controls | IMO.B3S |
| =20-4S3 | 1 | Contact NO | B3T10 | IMO Precision Controls | IMO.B3T10 |
| =20-4S3 | 1 | TTP 45x15 Tekstplaatje | 53000074 | Altec | ALT.53000074 |
| =20-4S3 | 1 | Lamp holder | B3F | IMO Precision Controls | IMO.B3F |
| =20-4S6 | 1 | Drukknop verlicht rood | B3DLGRED | IMO Precision Controls | IMO.B3DLRED |
| =20-4S6 | 1 | Contact frame | B3S | IMO Precision Controls | IMO.B3S |
| =20-4S6 | 1 | Contact NC | B3T01 | IMO Precision Controls | IMO.B3T01 |
| =20-4S6 | 1 | TTP 45x15 Tekstplaatje | 53000074 | Altec | ALT.53000074 |
| =20-4S6 | 1 | Lamp holder | B3F | IMO Precision Controls | IMO.B3F |
| =20-5S1 | 1 | Emergency stop button 30MM | B53P44RED | IMO Precision Controls | IMO.B53P44RED |
| =20-5S1 | 1 | Push Button Yellow Disc Emergency Stop Label | B3-7603-2 | IMO Precision Controls | IMO.B3-7603-2 |
| =20-5S1 | 1 | Contact frame | B3S | IMO Precision Controls | IMO.B3S |
| =20-5S1 | 1 | Contact NC | B3T01 | IMO Precision Controls | IMO.B3T01 |
| =20-5S2 | 1 | Push Button Spring Return Black, Aluminium Bezel | B3DBLACK | IMO Precision Controls | IMO.B3DBLACK |
| =20-5S2 | 1 | Contact frame | B3S | IMO Precision Controls | IMO.B3S |
| =20-5S2 | 1 | Contact NO | B3T10 | IMO Precision Controls | IMO.B3T10 |
| =20-5S2 | 1 | TTP 45x15 Tekstplaatje | 53000074 | Altec | ALT.53000074 |
| =20-X4 | 2 | Eindsteun | ES1 | IMO Precision Controls | IMO.ES1 |
| =20-X4 | 1 | Tag-houder | GMBEIGE | IMO Precision Controls | IMO.GMBEIGE |
| =20-X4 | 6 | Spring Clamp Terminal 2.5mm², 600V, 20A, Double Deck Beige | SCD2.5BEIGE | IMO Precision Controls | IMO.SCD2.5BEIGE |
| =20-X4 | 1 | Aardklem | SCPE2.5 | IMO Precision Controls | IMO.SCPE2.5 |



Klemmenaansluitlijst

| Functietekst | Kabelnaam | Kabeltype | Stroom =20+BK2#-X4 Externe bediening | | | | Kabelnaam | Kabeltype | Pagina / kolom |
|--------------|-----------|-----------|--|-------------|------|------|-----------|-----------|----------------|
| | | | Doelcode | Aansluiting | Klem | Brug | | | |
| | | | -4X1 | 1 | 1 | . | -4S1 | 13 | +BK1EFS1/4.1 |
| | | | | | | | -4S2 | 13 | |
| | | | -4X1 | 2 | 2 | . | -4S1 | 14 | +BK1EFS1/4.1 |
| | | | -4X1 | 3 | 3 | . | -4S3 | 13 | +BK1EFS1/4.1 |
| | | | -4X1 | 4 | 4 | . | -4S3 | X2 | +BK1EFS1/4.1 |
| | | | -4X1 | 5 | 5 | . | -4S2 | 14 | +BK1EFS1/4.2 |
| | | | -4S3 | 14 | 6 | . | -4X1 | 6 | +BK1EFS1/4.3 |
| | | | -4X1 | 7 | 7 | . | -4S3 | X1 | +BK1EFS1/4.5 |
| | | | -4S6 | 12 | 8 | . | -4X1 | 8 | +BK1EFS1/4.6 |
| | | | -4X1 | 9 | 9 | . | -4S6 | X1 | +BK1EFS1/4.8 |
| | | | -4X1 | 10 | 10 | . | -5S1 | 12 | +BK1EFS1/5.1 |
| | | | -4X1 | 11 | 11 | . | -5S2 | 14 | +BK1EFS1/5.2 |
| | | | -4X1 | 12 | 12 | . | -5P3 | 45 | +BK1EFS1/5.4 |
| | | | -4X1 | PE | PE | . | PE | | +BK1EFS1/5.8 |

Kabeloverzicht

| Kabelnaam | Bron (van) | Doel (tot) | Kabeltype | alle aders | Gebruikte aders | Dwarsdoorsnede [mm] | Lengte [m] | Functietekst | Grafische pagina van de kabelaansluitijst |
|-----------|--------------|------------|-----------|------------|-----------------|---------------------|------------|---|---|
| -1W0 | +BK1-X0 | PE | | 5G | 5 | 70 | | | |
| | +BK1-1Q0 | L1 | | | | | | | |
| | | L2 | | | | | | | |
| | | L3 | | | | | | | |
| | | N | | | | | | | |
| =20-2W1 | =20+BK1-X1 | =20-2M1 | | 4G | 4 | 1,5 | | Ventilatie hogedrukpomp 400V 0.35kW 0,75A | |
| =20-3W1 | =20+BK1-X4 | =20-3B1 | | 4G | 3 | 0,75 | | Toerensensor | |
| =30-1W1 | =30+BK1-X1 | =30-1M1 | | 4G | 4 | 25 | | Mixpump 37kW 65A | |
| | =30+BK1-1Q1 | | | | | | | | |
| =40-1W1 | =40+BK1-X1 | =40-1M1 | | 4G | 4 | 2,5 | | Powerpack 9.2kW 17,8A | |
| =40-2W1 | =40+BK1-X4 | =40-2A1 | | 3G | 2 | 2,5 | | Kraanbesturingskast | |
| =50-1W1 | =50+BK1-X1 | =50-1M1 | | 4G | 4 | 1,5 | | | |
| =60-1W1 | =60+BK1-X1 | =60-1M1 | | 4G | 4 | 1,5 | | | |
| =800-1W1 | =800+BK1-X10 | =800-1S1 | | 2x | 2 | 1 | | Emergencystop Controlpanels | |
| | | | | | | | | | |
| | | | | | | | | | |
| | | | | | | | | | |
| | | | | | | | | | |
| | | | | | | | | | |
| | | | | | | | | | |
| | | | | | | | | | |
| | | | | | | | | | |
| | | | | | | | | | |
| | | | | | | | | | |
| | | | | | | | | | |
| | | | | | | | | | |
| | | | | | | | | | |
| | | | | | | | | | |
| | | | | | | | | | |
| | | | | | | | | | |
| | | | | | | | | | |
| | | | | | | | | | |
| | | | | | | | | | |
| | | | | | | | | | |
| | | | | | | | | | |

+BK2&EMA4/1



Sitetec B.V.
MP750E (110kW)
AS-Built (A)

| | |
|-------|----------------|
| +Veld | Veldmateriaal |
| &EMB1 | Kabeloverzicht |
| = | |

Kabeloverzicht : +=Veld#-1W0 -
=800+Veld#-1W1

Projectnummer: 2220633
Getekend: JY Datum: 31-1-2022
Wijziging: Datum: 21-3-2023
Blad: 1